

Types CGS, CG, CGR, CGO, CGH Part Number Information



Mallory Catalog Number: CGS 184 U 010 X3L * (3 P H)

TYPE NUMBER: _____
Identifies the basic type
CGS, CG, CGR, CGO, CGH

CAPACITANCE: _____
Expressed in microfarads
The first two digits are significant figures
The third digit is the number of zeros

CAPACITANCE TOLERANCE: _____
U = -10% + 75% (6.3 to 150 VDC)
T = -10% + 50% (151 to 450 VDC)
M = ±20%

DC VOLTAGE RATING: _____
Zeros are used to precede the voltage rating where
necessary to complete the three digit block
The letter 'R' indicates a decimal point

CASE CODE: _____
See page 67 for sizes

INSULATING SLEEVE: _____
3 = .008 PVC insulating material. (Standard)

POLARITY: _____
P = Polar
N = Non Polar

TERMINAL: _____
H = High Post D = Low Post, Low Resistance Screw Mount (1/4 - 28 Thread)
L = Low Post F = High Post Metric Thread
S = Solder Lugs G = Low Post Metric Thread
V = Printed Circuit Mount N = High Post, Low Resistance Screw Mount (1/4 - 28 Thread)

* NOTE ! The standard parts shown in the General Catalog have PVC sleeving and are polar, with high post terminals as standard. The 3PH is left off the part number, but is assumed. The CGO type has a 'L' at the end of the part number which stands for 'low post', while the case code has been omitted.
Check Standard Parts List for case size

Aluminum Capacitors

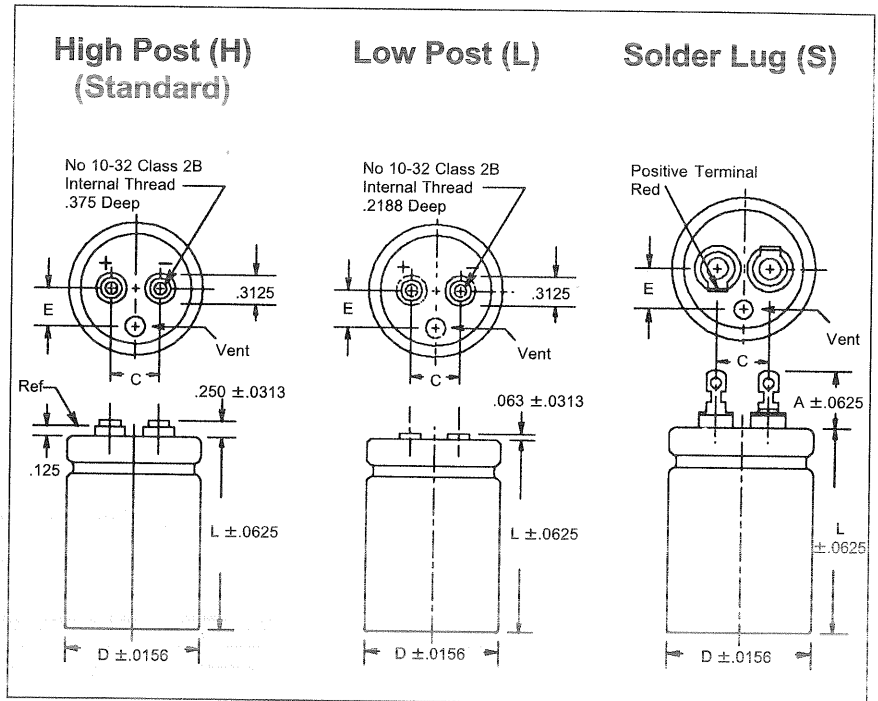
Types CGS, CG, CGR, CGO, CGH Dimensions and Size Charts



Case Code Chart

Case Code	Uninsulated Can Size						Mounting Bracket
	Inches		mm		Inches	mm	
	D	L	D	L	C	C	
R2C	1.375	2.125	35	54	.500	12.7	VR3
R2L	1.375	2.625	35	67	.500	12.7	VR3
R3C	1.375	3.125	35	79.4	.500	12.7	VR3
R3L	1.375	3.625	35	92	.500	12.7	VR3
R4C	1.375	4.125	35	105	.500	12.7	VR3
R4L	1.375	4.625	35	117.5	.500	12.7	VR3
R5C	1.375	5.125	35	130	.500	12.7	VR3
R5L	1.375	5.625	35	143	.500	12.7	VR3
U2C	1.750	2.125	44.5	54	.750	19	VR6
U2L	1.750	2.625	44.5	67	.750	19	VR6
U3C	1.750	3.125	44.5	79.4	.750	19	VR6
U3L	1.750	3.625	44.5	92	.750	19	VR6
U4C	1.750	4.125	44.5	105	.750	19	VR6
U4L	1.750	4.625	44.5	117.5	.750	19	VR6
U5C	1.750	5.125	44.5	130	.750	19	VR6
U5L	1.750	5.625	44.5	143	.750	19	VR6
V2C	2.000	2.125	50.8	54	.875	22.23	VR8
V2L	2.000	2.625	50.8	67	.875	22.23	VR8
V3C	2.000	3.125	50.8	79.4	.875	22.23	VR8
V3L	2.000	3.625	50.8	92	.875	22.23	VR8
V4C	2.000	4.125	50.8	105	.875	22.23	VR8
V4L	2.000	4.625	50.8	117.5	.875	22.23	VR8
V5C	2.000	5.125	50.8	130	.875	22.23	VR8
V5L	2.000	5.625	50.8	143	.875	22.23	VR8
W3C	2.500	3.125	63.5	79.4	1.125	28.58	VR10
W3L	2.500	3.625	63.5	92	1.125	28.58	VR10
W4C	2.500	4.125	63.5	105	1.125	28.58	VR10
W4L	2.500	4.625	63.5	117.5	1.125	28.58	VR10
W5C	2.500	5.125	63.5	130	1.125	28.58	VR10
W5L	2.500	5.625	63.5	143	1.125	28.58	VR10
X3L	3.000	3.625	76.2	92	1.250	31.75	VR12
X4C	3.000	4.125	76.2	105	1.250	31.75	VR12
X4L	3.000	4.625	76.2	117.5	1.250	31.75	VR12
X5C	3.000	5.125	76.2	130	1.250	31.75	VR12
X5L	3.000	5.625	76.2	143	1.250	31.75	VR12
X5R	3.000	5.875	76.2	149	1.250	31.75	VR12
X6L	3.000	6.625	76.2	168	1.250	31.75	VR12
X7L	3.000	7.625	76.2	194	1.250	31.75	VR12
X8L	3.000	8.625	76.2	219	1.250	31.75	VR12

Add .015 inches to diameter and .045 inches to length for PVC insulating sleeve.



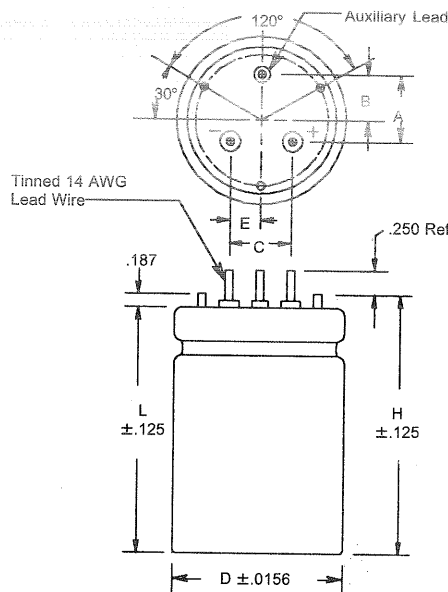
Can Dia	E
1.375	.390
1.750	.453
2.000	.500
2.500	.625
3.000	.750

Can Dia	E
1.375	.390
1.750	.453
2.000	.500
2.500	.625
3.000	.750

Can Dia	A	E
1.375	.56	.31
1.750	.65	.40
2.000	.65	.50
2.500	.65	.62
3.000	.65	.75

PC Mounting Board Dimensions

Case Code	Uninsulated Can Size						
	D	L	H	A	B	C	E
R1N	1.375	1.750	1.937	.550	.375	.500	.250
R2C	1.375	2.125	2.312	.550	.375	.500	.250
R2L	1.375	2.625	2.812	.550	.375	.500	.250
R3C	1.375	3.125	3.312	.550	.375	.500	.250
R3L	1.375	3.625	3.812	.550	.375	.500	.250
R4C	1.375	4.125	4.312	.550	.375	.500	.250
R4L	1.375	4.625	4.812	.550	.375	.500	.250
R5C	1.375	5.125	5.312	.550	.375	.500	.250
R5L	1.375	5.625	5.812	.550	.375	.500	.250
V2C	2.000	2.125	2.312	1.000	.575	.800	.400
V2L	2.000	2.625	2.812	1.000	.575	.800	.400
V3C	2.000	3.125	3.312	1.000	.575	.800	.400
V3L	2.000	3.625	3.812	1.000	.575	.800	.400
V4C	2.000	4.125	4.312	1.000	.575	.800	.400
V4L	2.000	4.625	4.812	1.000	.575	.800	.400
V5C	2.000	5.125	5.312	1.000	.575	.800	.400
V5L	2.000	5.625	5.812	1.000	.575	.800	.400



Printed Circuit Board (V)