

SURFTRIM® SURFACE MOUNT

Sealed Construction

FEATURES

- Process seal provides protection against contaminants (flux, solvents, etc.) during production.
- Designed for flow and reflow soldering.
- Available in carrier and reel packaging.

SPECIFICATIONS

Operating Temperature Range: -25°C to +85°C
(For expanded temperature range applications, consult factory.)

Voltage Rating: 100 VDC

Dielectric Withstanding Voltage: 220 VDC

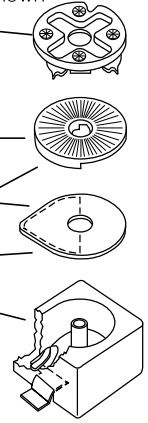
Insulation Resistance: 10⁴ Megohms min

Torque: 15 to 100 g-cm (0.2 to 1.39 oz-in)

CONSTRUCTION DETAILS OF 4 x 4.5 mm GKG MODELS

Model GKG ___ 27 Shown

- Special "drive assembly" with pointed spring fingers to engage rotor upper surface contour. Spring fingers also provide proper tension for smooth torque and low resistance.
- Special rotor with die-formed "drive" contour on upper surface.
- Flat-lapped and lubricated surfaces join for reliable capacitance settings.
- Special ceramic stator insert with metalized electrode.
- Solid one-piece housing with integrally molded terminals and contact areas. Central tubular column is spun-out into a flare after assembly to maintain built-in spring tension.



4 x 4.5 x 2.7 mm Models

Capacitance (pF)		TCC (ppm/°C)	Q min (1 MHz)	Color Code	Bulk Pack Model No.	Carrier and Reel Pack Model No.	Bulk Pack Model No.	Carrier and Reel Pack Model No.	Bulk Pack Model No.	Carrier and Reel Pack Model No.
*min	max									
1.4	3.0	0 ± 200	300**	†Red Dot	GKG3R026	GKG3R066	GKG3R027	GKG3R067	GKG3R028	GKG3R068
2.0	6.0	0 ± 200	500**	Blue	GKG6R026	GKG6R066	GKG6R027	GKG6R067	GKG6R028	GKG6R068
3.0	10.0	0 ± 300	500**	White	GKG10026	GKG10066	GKG10027	GKG10067	GKG10028	GKG10068
4.5	20.0	N900 ± 300	500**	Red	GKG20026	GKG20066	GKG20027	GKG20067	GKG20028	GKG20068
6.5	30.0	N1100 ± 450	300	Green	GKG30026	GKG30066	GKG30027	GKG30067	GKG30028	GKG30068
15.0	50.0	N1700 ± 500	300	Orange	GKG50H26	GKG50H66	GKG50H27	GKG50H67	GKG50H28	GKG50H68

† Marking on bottom of capacitor.

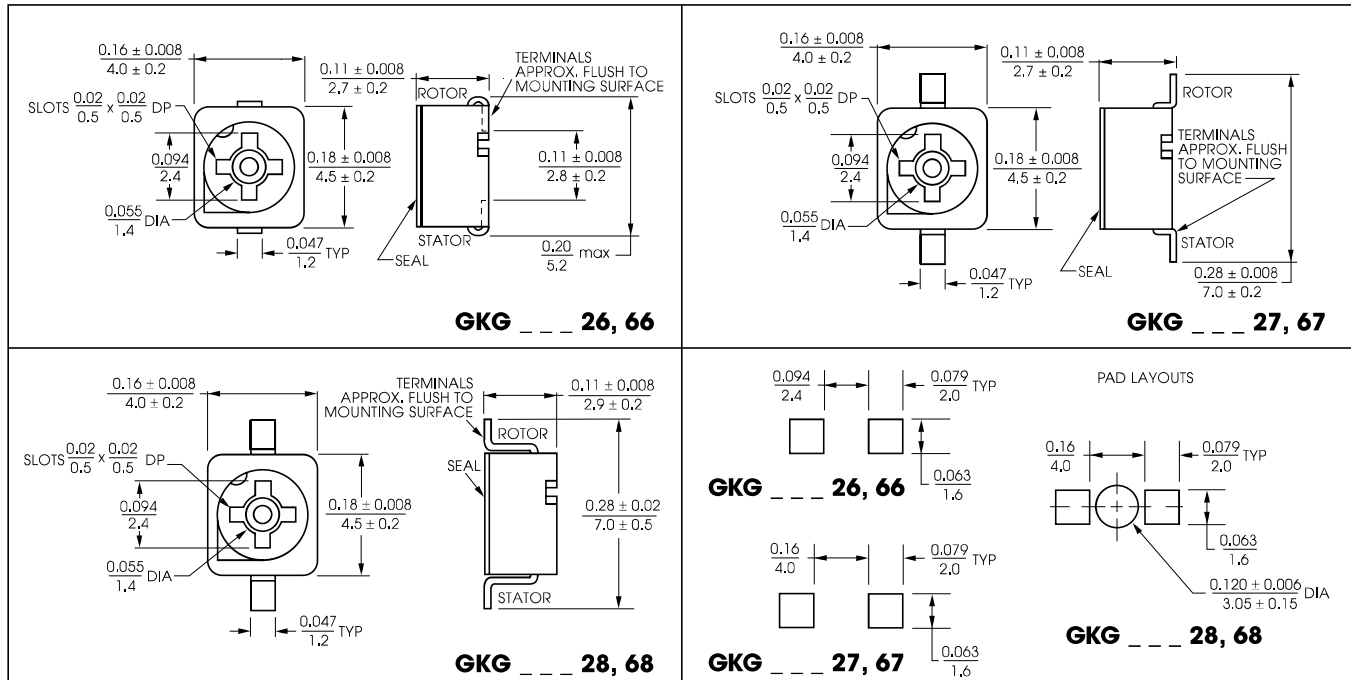
* Re-rated in 1994 for lower min capacitance.

** Q at 10MHz

Available without seal — consult factory.

Carrier and reel specifications on page 11.

Add -07 to Model No. for 700 / reel, -25 for 2500 / reel.



All dimensions are in / mm.
Unless otherwise specified, the tolerance on dimensions is ± 0.004 / 0.1.

PLASTIC ENCASED TYPE: 4 x 4.5 mm

Available With or Without Adjust Cavity Seal

FEATURES

- Very low cost due to automated production and solderless touch contact construction.
- Wide selection of capacitance ranges.
- Color coded housings.
- Easy blind tuning (2 slots at 90° angle in adjust cavity — accepts cross-slotted tool).
- Process seal on adjust screw access face (optional) provides protection against contaminants (flux, solvents, etc.) during production.

SPECIFICATIONS

Operating Temperature Range: -25°C to +85°C
 Voltage Rating: 100 VDC
 Dielectric Withstanding Voltage: 220 VDC
 Insulation Resistance: 10⁴ Megohms min
 Torque: 10 to 100 g-cm (0.14 to 1.39 oz-in)



4 x 4.5 mm Models

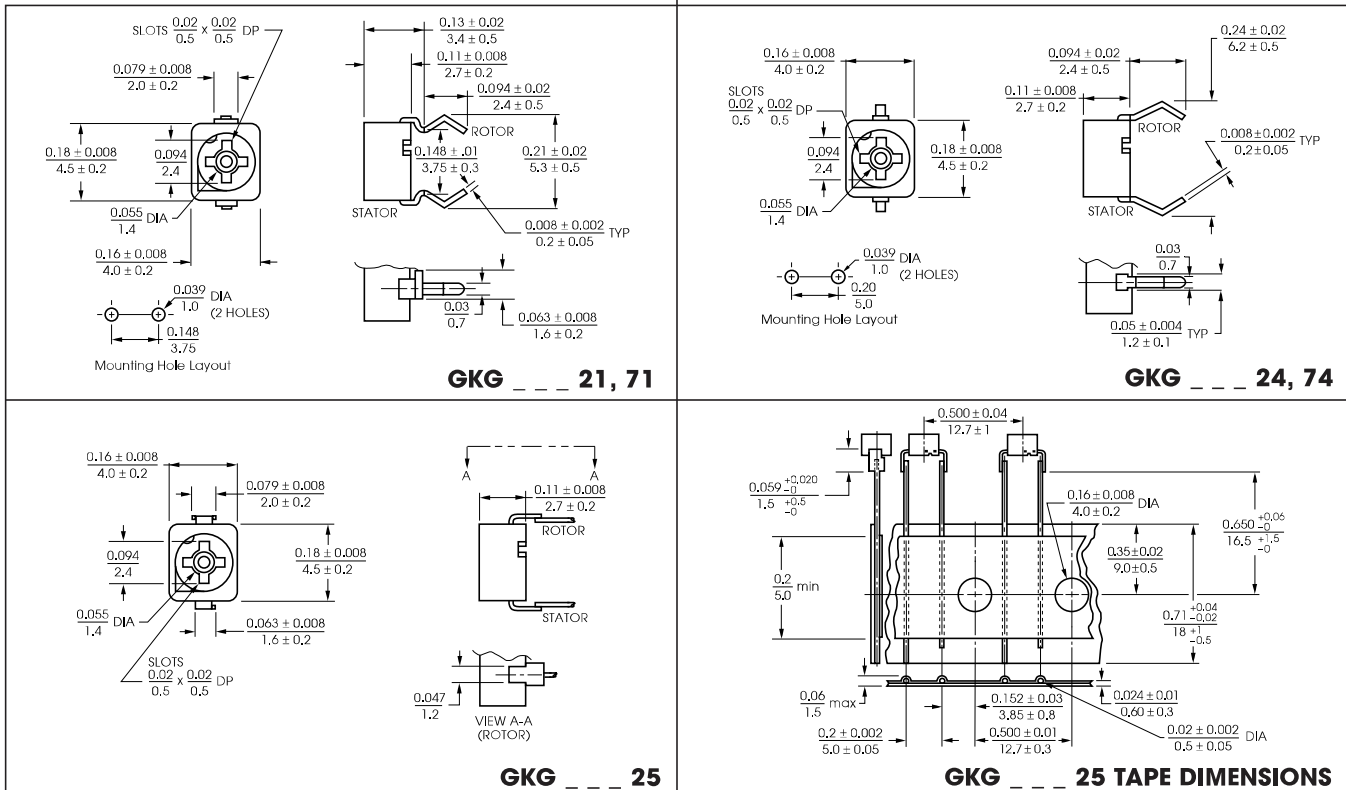
Capacitance (pF)		TCC (ppm/°C)	Q min		Color Code	Top Mount ³ Spring Lead Model No.		Top Mount ³ Spring Lead Model No.		Top Mount ⁴ Ammo Pack Model No.
min	max		1 MHz	10 MHz		Unsealed	Sealed	Unsealed	Sealed	Unsealed
1.4	3.0	0 ± 200	300	300	² Red Dot	GKG3R021	GKG3R071	GKG3R024	GKG3R074	GKG3R025
2.0	6.0	0 ± 200	500	300	Blue	GKG6R021	GKG6R071	GKG6R024	GKG6R074	GKG6R025
3.0	10.0	0 ± 300	500	300	White	GKG10021	GKG10071	GKG10024	GKG10074	GKG10025
4.5	20.0	N900 ± 350	500	300	Red	GKG20021	GKG20071	GKG20024	GKG20074	GKG20025
6.5	30.0	N1100 ± 450	300	300	Green	GKG30021	GKG30071	GKG30024	GKG30074	GKG30025
15.0	50.0	N1700 ± 500	300	N.A.	Orange	GKG50021	GKG50071	GKG50024	GKG50074	GKG50025

¹Re-rated in 1993.

²Marking on bottom of capacitor.

³Magazine pack (120 pieces) for auto insertion available — consult factory for pricing.

⁴Ammo pack contains 1000 pcs.



All dimensions are in /mm.
 Unless otherwise specified, the tolerance on dimensions is ± 0.004/0.1.

Tape dimensions on page 3.

PLASTIC ENCASED TYPE: 6 mm

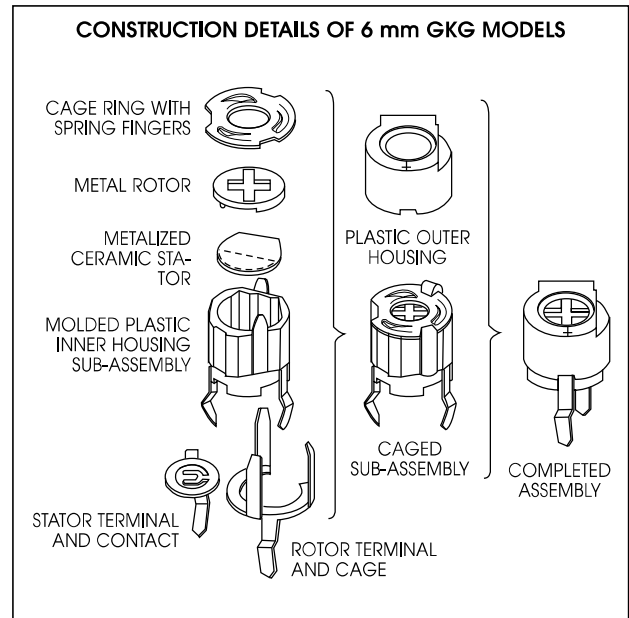
Available With or Without Membrane Adjust Cavity Seal

FEATURES

- Low cost due to automated production and solderless touch contact construction.
- Wide selection of capacitance ranges.
- Color coded housings.
- Double plastic housing provides improved protection against dust & contamination.
- Rugged construction (working parts supported by metal structure, not just plastic).
- Easy blind tuning (2 slots at 90° angle in adjust cavity — accepts cross-slotted tool).
- Visual indication of maximum capacitance setting.
- Membrane seal on adjust screw access face (optional) provides protection against contaminants (flux, solvents, etc.) during production.

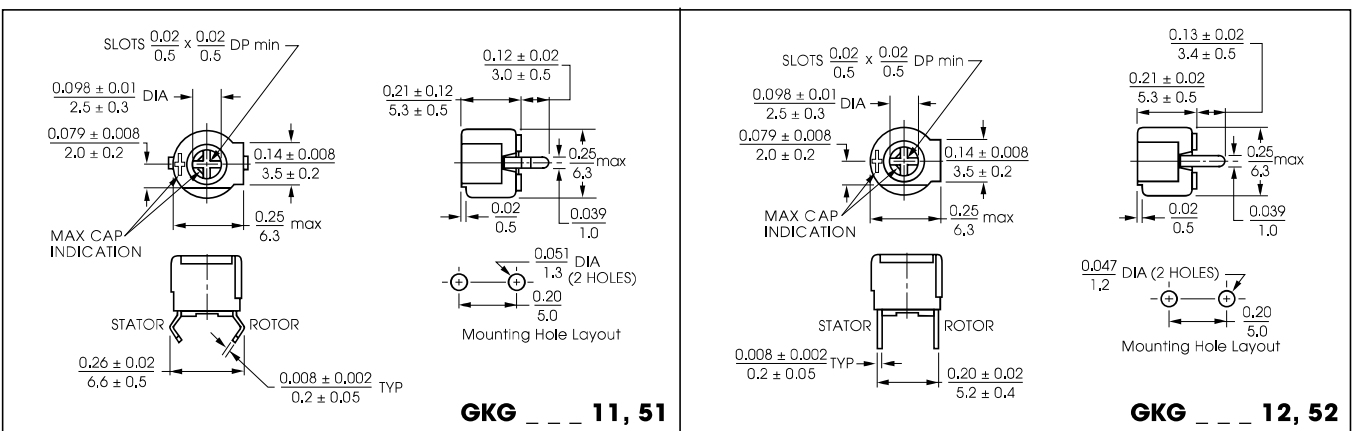
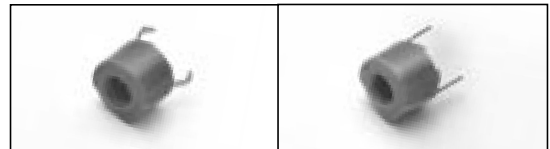
SPECIFICATIONS

Operating Temperature Range: -25°C to +85°C
 Voltage Rating: 100 VDC
 Dielectric Withstanding Voltage: 220 VDC
 Insulation Resistance: 10⁴ Megohms min
 Torque: 20 to 200 g-cm (0.28 to 2.77 oz-in)



6 mm Models

Capacitance (pF)		TCC (ppm/°C)	Q min (10 MHz)	Color Code	Top Mount Spring Lead Model No.		Top Mount Straight Lead Model No.	
min	max				Unsealed	Sealed	Unsealed	Sealed
2.8	10.0	0 ± 250	300	White	GKG10011	GKG10051	GKG10012	GKG10052
4.0	20.0	N600 ± 300	300	Red	GKG20011	GKG20051	GKG20012	GKG20052
5.5	30.0	N750 ± 300	200	Green	GKG30011	GKG30051	GKG30012	GKG30052
6.5	40.0	N750 ± 400	200	Yellow	GKG40011	GKG40051	GKG40012	GKG40052
8.0	50.0	N1200 ± 600	200	Orange	GKG50011	GKG50051	GKG50012	GKG50052
10.5	60.0	N1200 ± 600	200 (1 MHz)	Brown	GKG60011	GKG60051	GKG60012	GKG60052
12.0	70.0	N1500 ± 600	200 (1 MHz)	Grey	GKG70011	GKG70051	GKG70012	GKG70052
20.0	90.0	N2200 ± 600	200 (1 MHz)	Black	GKG90011	GKG90051	GKG90012	GKG90052



All dimensions are in / mm.
 Unless otherwise specified, the tolerance on dimensions is ± 0.004 / 0.1; except slot tolerance is ± 0.008 / 0.2.

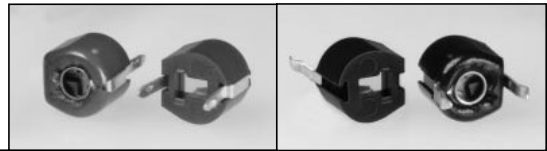
PLASTIC ENCASED TYPE: 6 mm ECONOMY GKG SERIES

FEATURES

- Very low cost.
- Wide selection of capacitance ranges.
- Suitable for printed circuit production methods using "spring leads" or "straight leads".

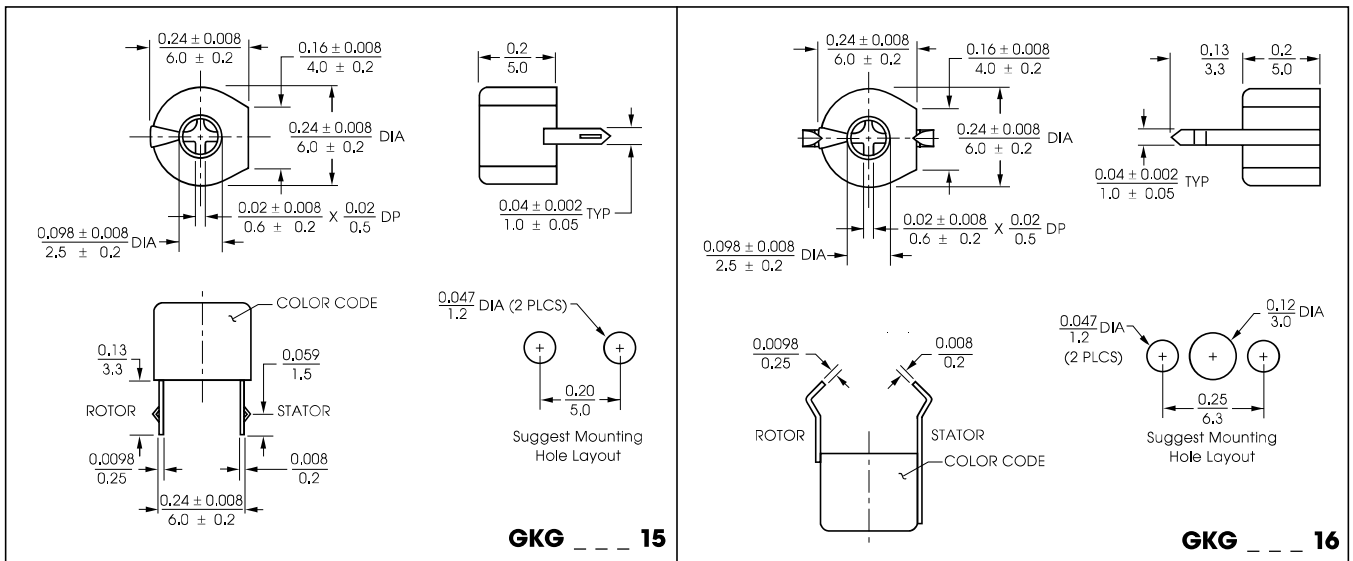
SPECIFICATIONS

Operating Temperature Range: -25°C to +85°C
 Voltage Rating: 100 VDC
 Dielectric Withstanding Voltage: 220 VDC
 Insulation Resistance: 10⁴ Megohms min
 Torque: 15 to 150 g-cm (0.21 to 2.1 oz-in)



6 mm Economy Models

Capacitance (pF)		TCC (ppm/°C)	Q min (1 MHz)	Color Code	Top Adjust Model No.	Bottom Adjust Model No.
min	max					
1.0	3.0	NPO ± 250	300	Black	GKG3R015	GKG3R016
2.0	5.0	NPO ± 250	300	Blue	GKG5R015	GKG5R016
3.0	10.0	NPO ± 250	300	White	GKG10015	GKG10016
5.0	20.0	N750 ± 250	300	Red	GKG20015	GKG20016
6.5	30.0	N1000 ± 500	200	Green	GKG30015	GKG30016
7.0	40.0	N2200 ± 800	200	Yellow	GKG40015	GKG40016
10.0	50.0	N2200 ± 800	200	Brown	GKG50015	GKG50016
12.0	60.0	N2200 ± 800	200	Brown	GKG60015	GKG60016
15.0	70.0	N2200 ± 800	200	Brown	GKG70015	GKG70016



All dimensions are in / mm.
 Unless otherwise specified, the tolerance on dimensions is ± 0.004/0.1; except slot tolerance is ± 0.008/0.2.