

2-WATT TYPE C

Rated 2 watts at 40°C. 1 3/4" diameter. Mech. Rotation: 280°. Elec. Rotation: 255°. Resis. Tolerance: ±10%. Contact arm grounded. Bushing: 3/8"-32 x 3/8". Shaft: 1/4" dia. x 3/4" FMS with screwdriver slot. Furnished with nut.

Ohms Resis.	Carrying Capacity in Amps	Catalog No.
6	.58	C6P
50	.2	C50P
1K	.045	C1MP
3K	.025	C3MP

4 WATT TYPE RHEOSTATS*

Ohms Resis.	Capacity in Amps	Catalog No.
0.5	2.80	M05RK
10	.63	M10RK
15	.52	M15RK
50	.28	M50RK

*"Open" or "Off" position counterclockwise.

SWITCH FOR TYPE R POTS

Description	Catalog No.
Single Pole, Single Throw	US30

SUBMINIATURE 5 WATT TYPE VWS

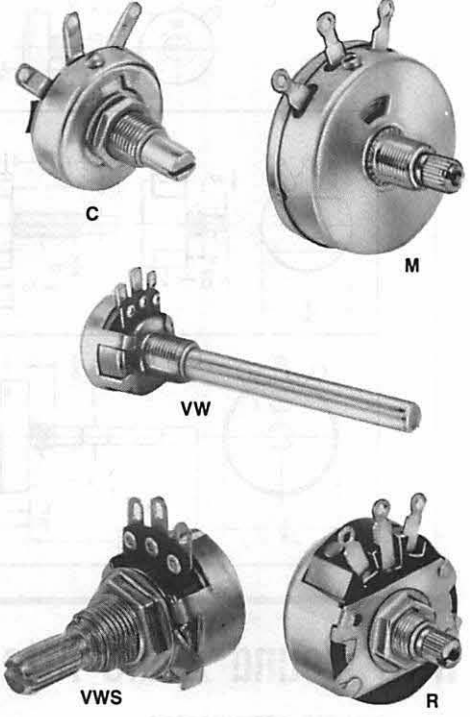
The VWS Control is identical to the VW except that the shaft is knurled and slotted and the shaft length is 7/8" FMS. Tolerance: ±10%.

Ohms Res.	Max. Amps	Catalog Number
1	2.2	VWS1
5	1.0	VWS5
8	.8	VWS8
10	.71	VWS10
20	.50	VWS20
25	.45	VWS25
30	.41	VWS30
50	.32	VWS50
60	.29	VWS60
100	.22	VWS100
200	.16	VWS200
250	.14	VWS250
300	.13	VWS300
500	.10	VWS500
600	.091	VWS600
1000	.071	VWS1K
2500	.045	VWS2P5K
5000	.032	VWS5K
7500	.026	VWS7P5K
10K	.022	VWS10K
15K	.018	VWS15K
20K	.016	VWS20K
25K	.014	VWS25K

3-WATT TYPE R

Standard TV wire-wound control rated 3 watts at 40°C. 1 3/4" diameter. Mech Rotation: 297°. Elec. Rotation: 290°. Voltage Breakdown: 900 VAC rms. Tolerance: ±10%. Bushing: 3/8"-32 x 1/4". Shaft: 1/4" dia. x 1/2" FMS, knurled with screwdriver slot. Furnished with nut. See list below for switch for R controls.

Ohms Res.	Max. Amps	Catalog Number
8	.61	R8L
10	.55	R10L
25	.35	R25L
50	.24	R50L
100	.17	R100L
250	.11	R250L
500	.077	R500L
1000	.055	R1000L
1500	.045	R1500L
2500	.035	R2500L
3000	.032	R3000L
5000	.024	R5000L
10000	.017	R10ML
15000	.014	R15ML



SUBMINIATURE 5-WATT TYPE VW

Rated 5 watts at 35°C. 3/4" diameter. Mech. Rotation: 305°. Elec. Rotation: 275°. Resis. Tolerance: ±10%. Voltage Breakdown: 900 VAC rms. Bushing: 3/8"-32 x 3/8". Shaft: 1/4" dia. x 2 1/2" FMS. Furnished with nut and lug.

Ohms Res.	Max. Amps	Catalog Number
1	2.2	VW1
2	1.6	VW2
3	1.3	VW3
5	1.0	VW5
8	.8	VW8
10	.71	VW10
15	.58	VW15
20	.50	VW20
25	.45	VW25
30	.41	VW30
40	.35	VW40
50	.32	VW50
75	.25	VW75
100	.22	VW100
200	.16	VW200
250	.14	VW250
300	.13	VW300
400	.11	VW400
500	.10	VW500
750	.082	VW750
1000	.071	VW1K
1500	.058	VW1P5
2000	.050	VW2K
2500	.045	VW2P5
3000	.041	VW3K
5000	.032	VW5K
7500	.026	VW7P5
10K	.022	VW10K
15K	.018	VW15K
20K	.016	VW20K
25K	.014	VW25K

**POTENTIOMETERS
4-WATT TYPE M**

Rated 4 watts at 40°C. 1 1/2" diameter. Mech. Rotation: 294°. Elec. Rotation: 275°. Resis. Tolerance: ±10%. Voltage Breakdown: 900 VAC rms. Tolerance: ±10%. Bushing: 3/8"-32 x 3/8" FMS. Shaft: 1/4" dia. x 3/4" FMS, knurled with screwdriver slot. Furnished with nut.

Ohms Resis.	Capacity in Amps	Catalog No.
1	2.00	M1PK
6	.82	M6PK
10	.63	M10PK
20	.45	M20PK
40	.32	M40PK
50	.28	M50PK
100	.20	M100PK
200	.14	M200PK
300	.116	M300PK
500	.09	M500PK
1K	.063	M1MPK
2K	.045	M2MPK
2.5K	.04	M2.5MPK
3K	.037	M3MPK
5K	.028	M5MPK
10K	.02	M10MPK
20K	.014	M20MPK
25K	.013	M25MPK
50K	.009	M50MPK
70K	.0075	M70MPK
100K	.0062	M100MPK

*See page 102 for control hardware.

For prices on all products on this page reference price sheet No. 500.

Consult your local Mallory distributor for price information.