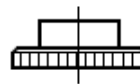
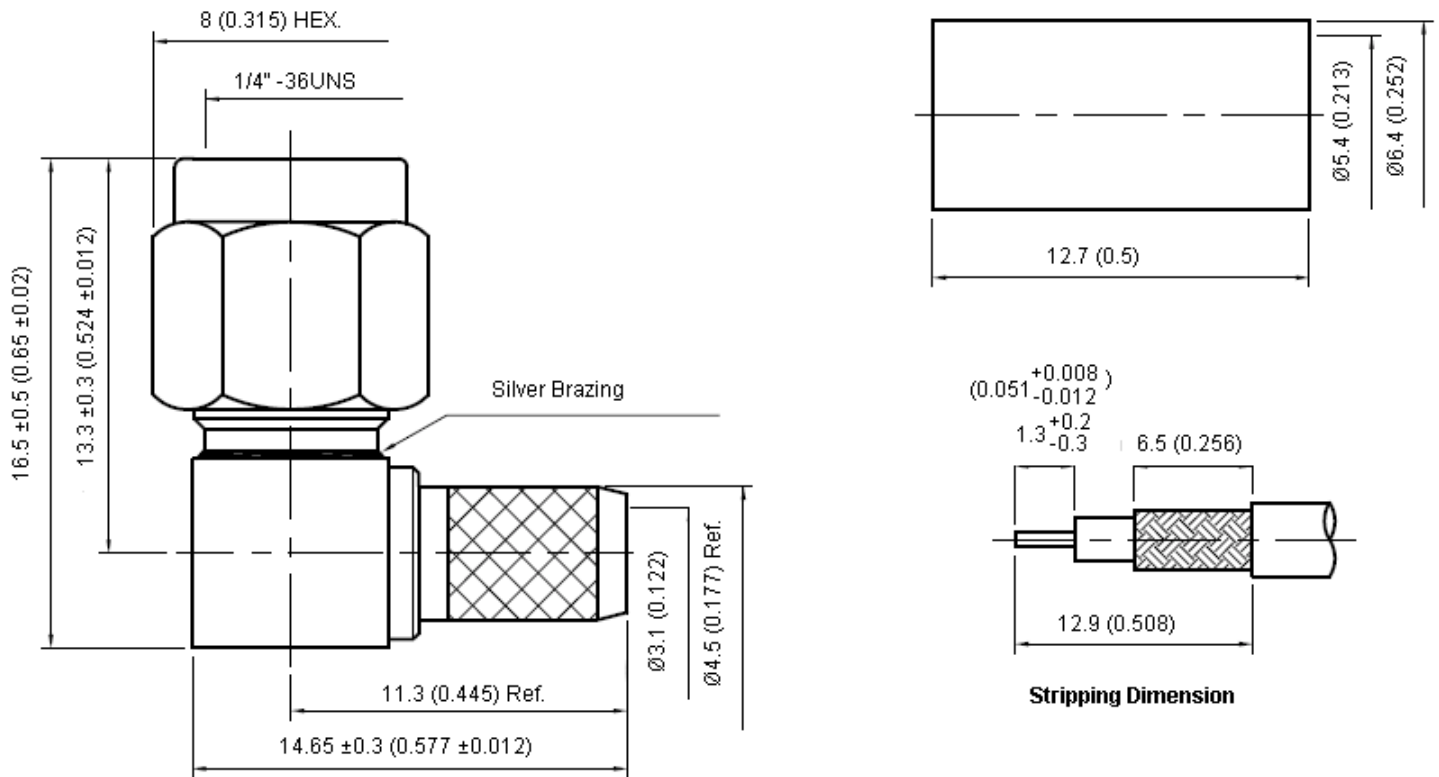


SMA Right Angle Plug Crimp



Specifications

Electrical:

Frequency Range	: DC-12.4 GHz
Nominal Impedance	: 50 Ohms
Working Voltage	: 500 Volts Maximum
Proof Voltage	: 1,000 Volts
VSWR	: 1.398 Maximum

Materials:

Bodies	: Brass
Center Contact	: Brass
Insulation	: PTFE
Crimp Ferrule	: Brass

Mechanical:

Cable Attachment	: Outer: Crimp, Inner: Solder
Recommended Coupling Torque	: 3 to 5 in-lbs
Crimp Size Required	: Ferrule: 5.5 (0.216) Hex. Crimp Tool

Environmental:

Operating Temperature Range	: -65°C To +165°C
-----------------------------	-------------------

Dimensions : Millimetres (Inches)

SMA Right Angle Plug Crimp



No.	Description	Material	Finish
1	Cap	Brass	Gold 3 μ " Minimum
2	Body	Brass	Gold 3 μ " Minimum
3	Center Contact	Brass	Gold 50 μ " Minimum
4	Body II	Brass	Gold 3 μ " Minimum
5	Insulation I	PTFE	None
6	Washer	Stainless Steel	None
7	Gasket	Silicone	Red
8	Shell	Brass	Gold 3 " Minimum
9	Crimp Ferrule	Brass	Gold

Tolerance	
.X	± 0.2
.XX	± 0.1
.XXX	± 0.05
Angle	$\pm 5^\circ$

Part Number Table

Description	Part Number
SMA Right Angle Plug Crimp	MC23582



Important Notice : This data sheet and its contents (the "Information") belong to the members of the Premier Farnell group of companies (the "Group") or are licensed to it. No licence is granted for the use of it other than for information purposes in connection with the products to which it relates. No licence of any intellectual property rights is granted. The Information is subject to change without notice and replaces all data sheets previously supplied. The Information supplied is believed to be accurate but the Group assumes no responsibility for its accuracy or completeness, any error in or omission from it or for any use made of it. Users of this data sheet should check for themselves the Information and the suitability of the products for their purpose and not make any assumptions based on information included or omitted. Liability for loss or damage resulting from any reliance on the Information or use of it (including liability resulting from negligence or where the Group was aware of the possibility of such loss or damage arising) is excluded. This will not operate to limit or restrict the Group's liability for death or personal injury resulting from its negligence. Multicom is the registered trademark of the Group. © Premier Farnell plc 2012.