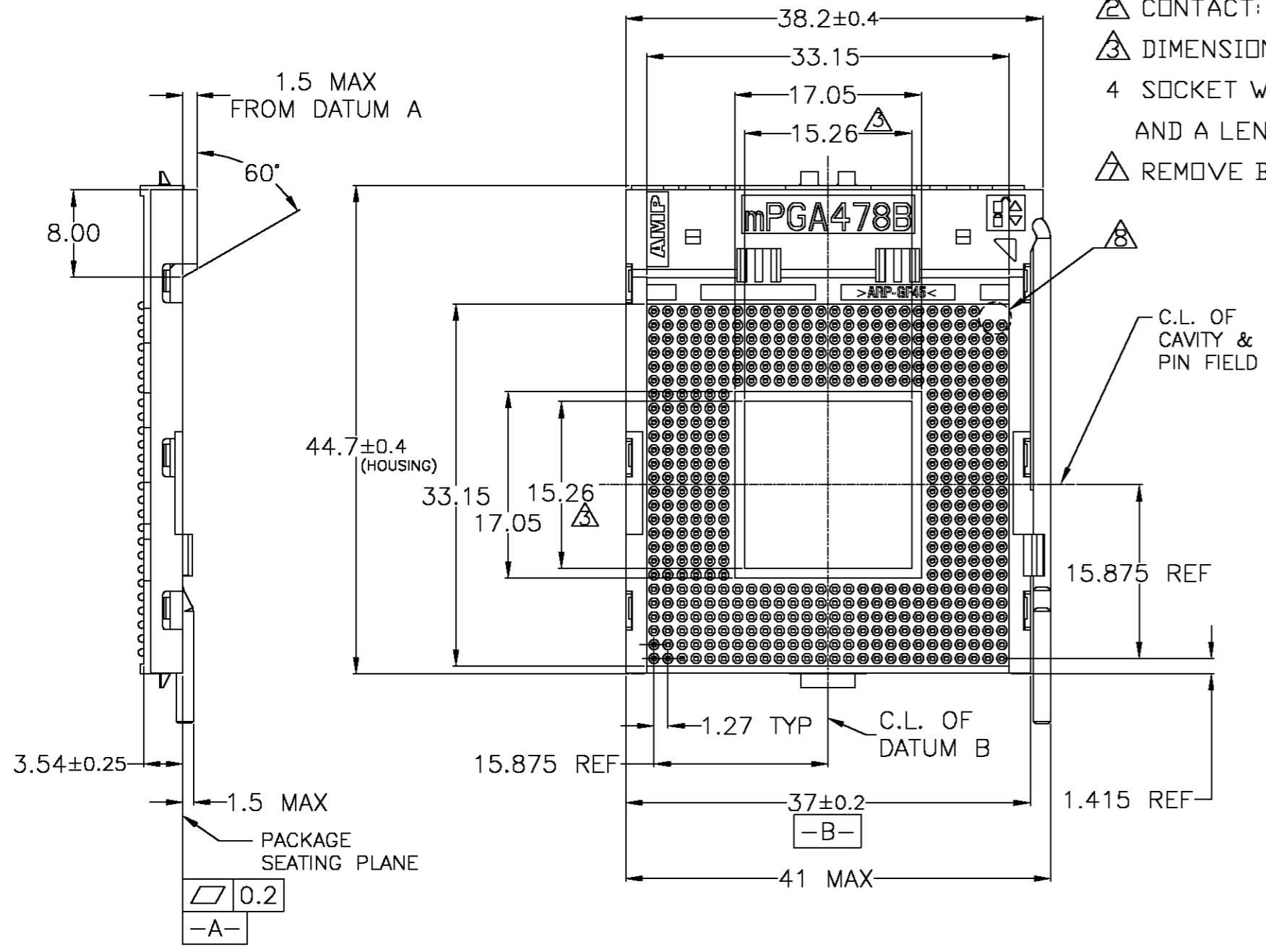


THIS DRAWING IS UNPUBLISHED. RELEASED FOR PUBLICATION 3, 2004.
 © COPYRIGHT 2001 BY TYCO ELECTRONICS CORPORATION. ALL RIGHTS RESERVED.

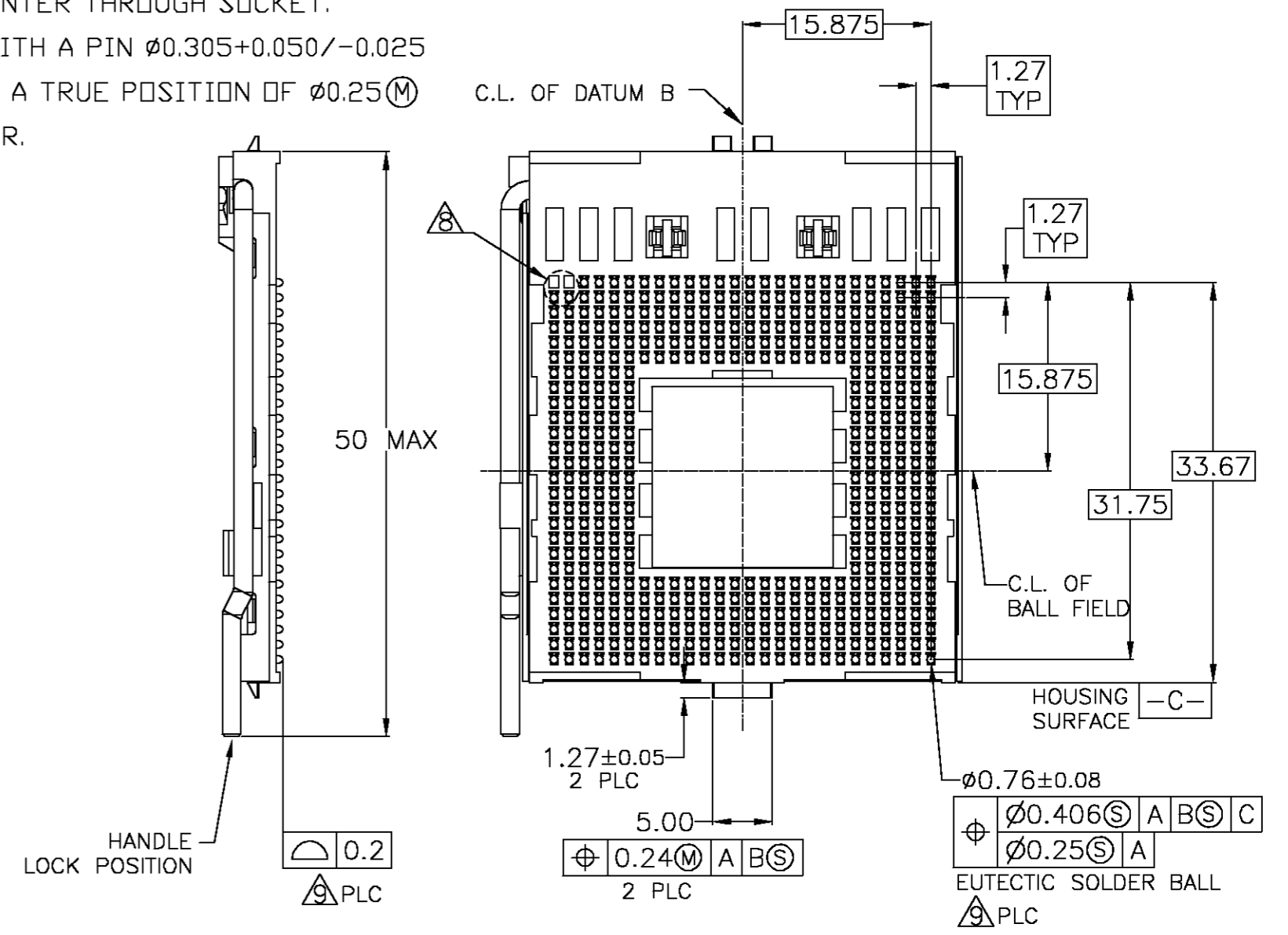
LOC	DIST	REVISED			DATE	DWN	APVD
J	-	P	LTR	DESCRIPTION			
		A		REVISED (FJBO-0738-04)	29JUL'04	S.A	H.S

AS SHOWN : 1746208-1,-2,-3 (478B BALL TYPE)

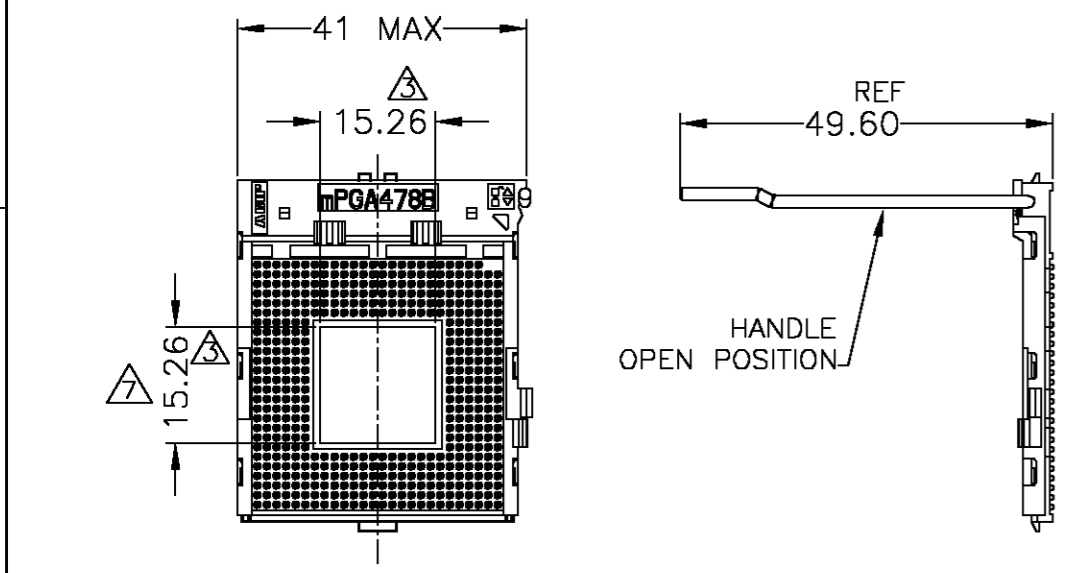
- △ COVER NATURAL COLOR, HOUSING BLACK, BOTH POLYESTER, UL94V-0;
CONTACT: COPPER ALLOY; HANDLE: STAINLESS STEEL;
PICK AND PLACE COVER: SYNDIOTACTIC POLYSTYRENE, BLACK, UL94V-0
LOCK for DIP TYPE (BLACK): PA, UL94V-0
- △ CONTACT: GOLD PL. IN CONTACT AREA OVER 1.27μm MIN NICKEL PL. ALL OVER.
- △ DIMENSION INDICATES MINIMUM OPEN CENTER THROUGH SOCKET.
- 4 SOCKET WILL ACCEPT P.G.A. PACKAGE WITH A PIN $\phi 0.305+0.050/-0.025$
AND A LENGTH OF 2.03 ± 0.08 LOCATED ON A TRUE POSITION OF $\phi 0.25(M)$
- △ REMOVE BEFORE INSTALLING PROCESSOR.



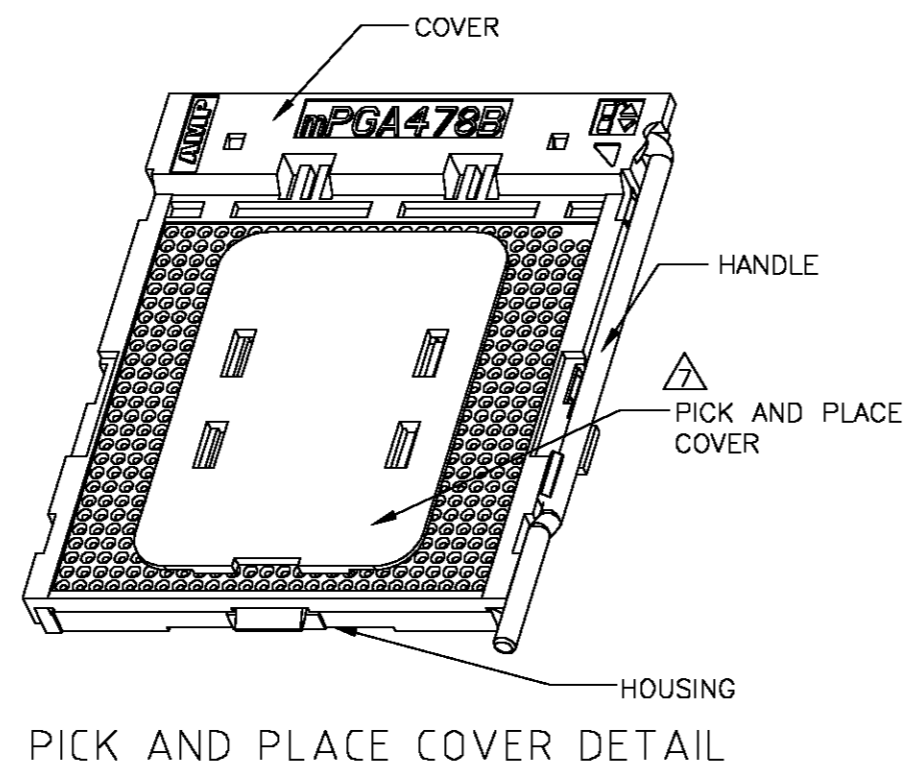
ACTUATE DIRECTION



SHOWN IN ACTIVATED (LOCK) POSITION
 PICK AND PLACE (SEE TABLE) OMITTED FOR CLARITY
 SEE PICK AND PLACE DETAILS FOR GEOMETRY
 (FINAL SHIPPING CONDITON)



SHOWN IN NON-ACTIVATED(FREE) POSITION
 SCALE 1:1



DIP, (THROUGH HOLE)	SHEET	COVER	GRID TYPE	QTY.	OMITTED CIRCUIT	GOLD THICKNESS	PACKING TYPE	WEIGHT (g) PER SKT	SALEABLE PART NO.
DIP, (THROUGH HOLE)	SHEET 2,4~5		478B	478	A1, B1	0.05um	PET TRAY	8.98	1-1746208-2
DIP, (THROUGH HOLE)	SHEET 2,4~5		478B	478	A1, B1	0.38um	PET TRAY	8.98	1-1746208-1
SURFACE, (SOLDER BALL)	SHEET 2	COVER	479	479	A1	0.05um	JEDEC TRAY	9.56	1746208-7
SURFACE, (SOLDER BALL)	SHEET 2	COVER	479	479	A1	0.38um	JEDEC TRAY	9.56	1746208-6
SURFACE, (SOLDER BALL)	SHEET 2	COVER	478C	478	A1, B2	0.05um	JEDEC TRAY	9.56	1746208-5
SURFACE, (SOLDER BALL)	SHEET 2	COVER	478C	478	A1, B2	0.38um	JEDEC TRAY	9.56	1746208-4
SURFACE, (SOLDER BALL)	SHEET 1~3	COVER	478B	478	A1, B1	0.05um	JEDEC TRAY	9.56	1746208-3
SURFACE, (SOLDER BALL)	SHEET 1~3	COVER	478B	478	A1, B1	0.25um	JEDEC TRAY	9.56	1746208-2
SURFACE, (SOLDER BALL)	SHEET 1~3	COVER	478B	478	A1, B1	0.38um	JEDEC TRAY	9.56	1746208-1
SOCKET MOUNT TYPE	INDICATION	PICK & PLACE TYPE	GRID TYPE	△ QTY.	△ OMITTED CIRCUIT	GOLD THICKNESS	PACKING TYPE	WEIGHT (g) PER SKT	SALEABLE PART NO.

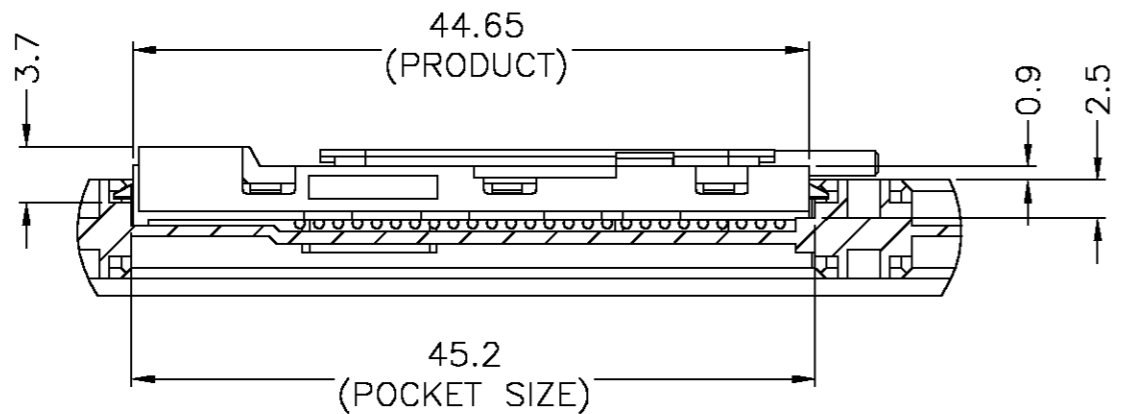
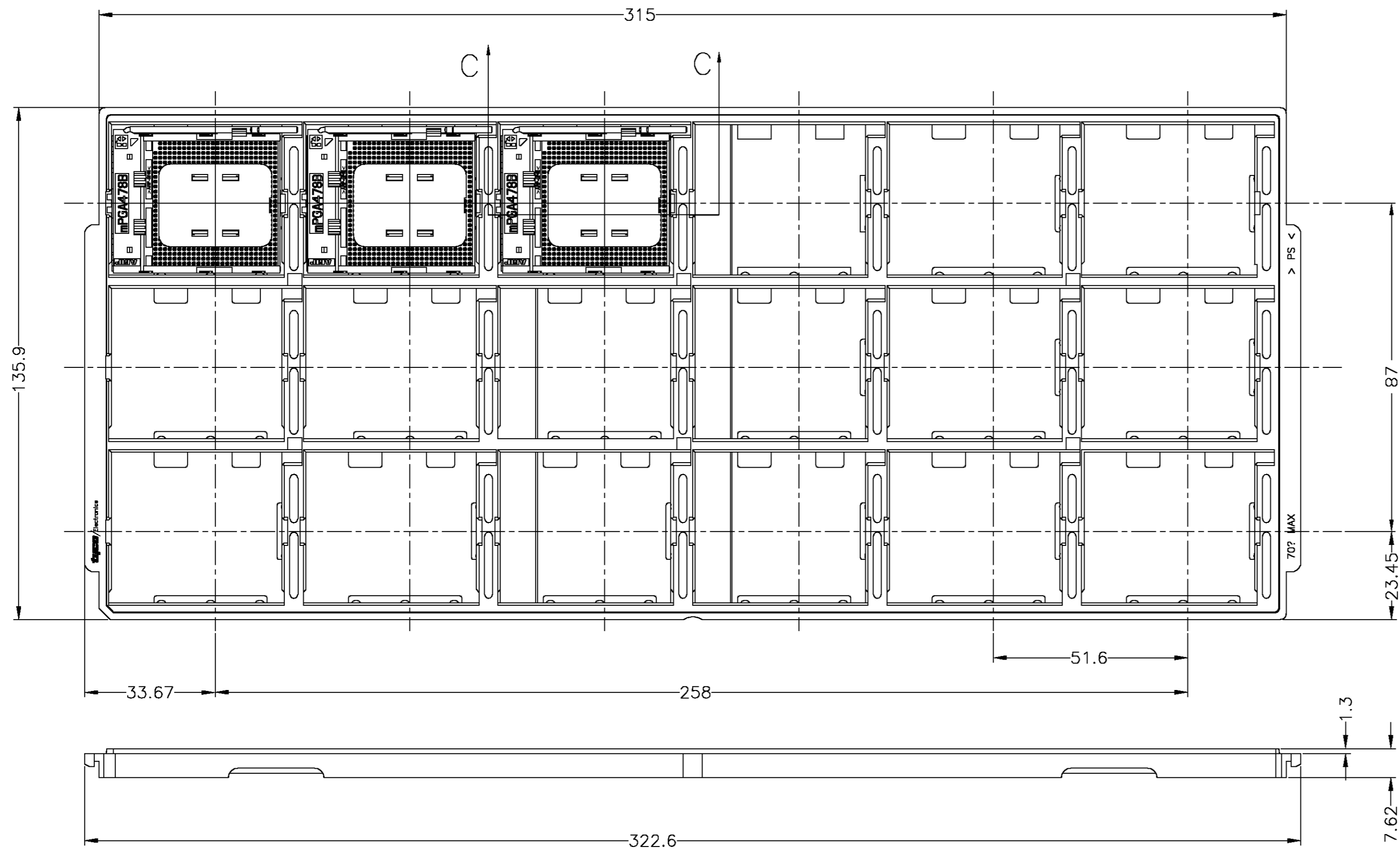
THIS DRAWING IS A CONTROLLED DOCUMENT.

DWN S.ABE 6/FEB/2004	Tyco Electronics AMP K.K. Kawasaki, Japan
CHK S.HASHIMOTO 9/FEB/2004	
APVD H.SHIRAI 9/FEB/2004	
PRODUCT SPEC 108-5963	
APPLICATION SPEC TEST REPORT 501-5541	NAME 名称 SOCKET ASSEMBLY, mPGA47X ZIF, 4mm
MATERIAL 材料	SIZE A2 CAGE CODE 00779 DRAWING NO 1746208 RESTRICTED TO
FINISH 仕上	WEIGHT SEE TABLE SCALE 2:1 SHEET 1 OF 5 REV A
	CUSTOMER DRAWING

THIS DRAWING IS UNPUBLISHED. RELEASED FOR PUBLICATION 3, 2004.
 © COPYRIGHT 2001 BY TYCO ELECTRONICS CORPORATION. ALL RIGHTS RESERVED.

LOC		DIST		REVISIONS			
P	LTR	DATE	DWN	APVD	DESCRIPTION		
-	-	-	-	-	SEE SHEET 1		

AS SHOWN : 1746208-1



SECTION : C-C
 SCALE 2:1
 JEDEC TRAY PACKAGE DIMENSION

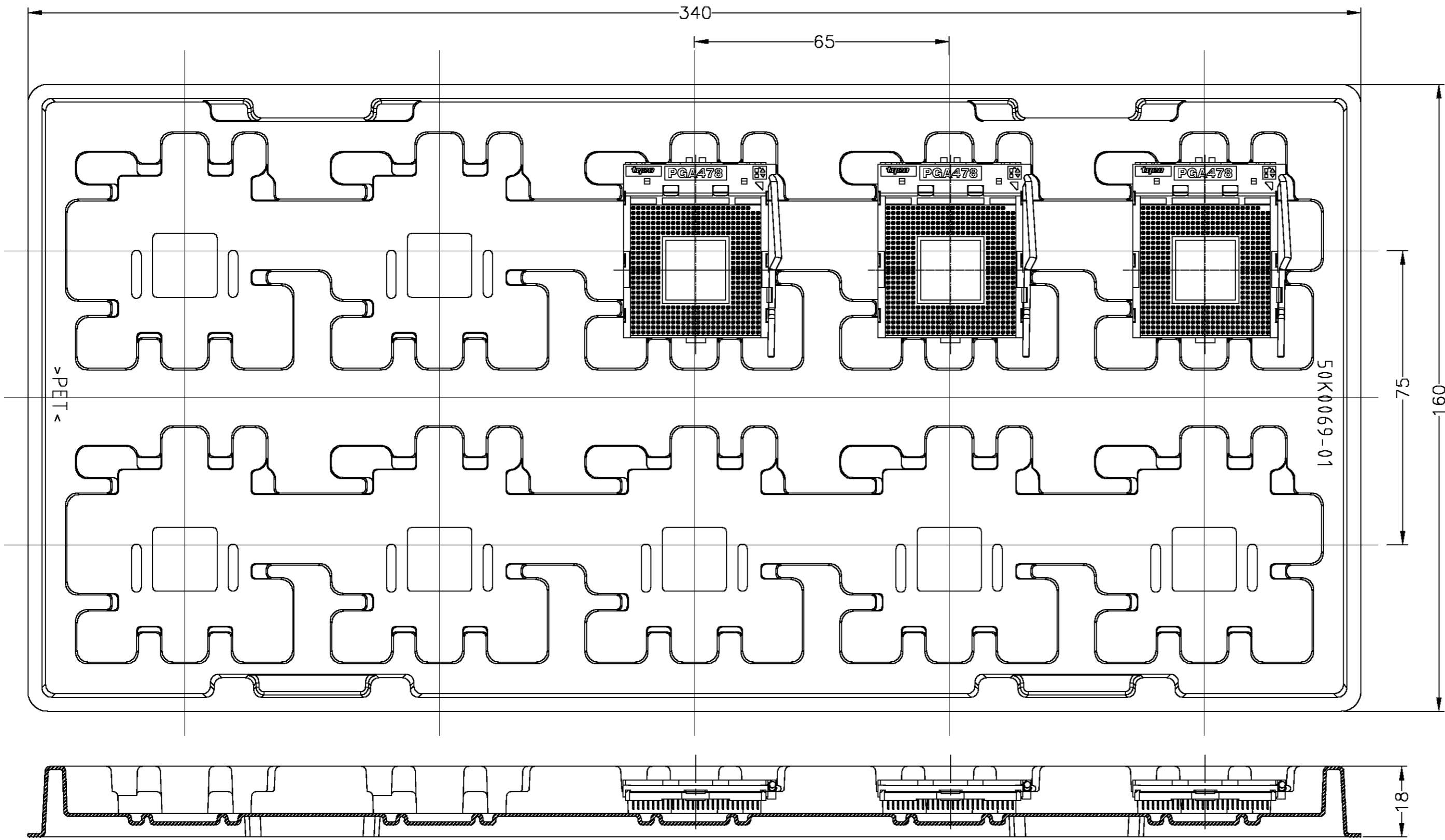
TRAY MATERIAL: PS

THIS DRAWING IS A CONTROLLED DOCUMENT.		DWN	Tyco Electronics AMP K.K. Kawasaki, Japan	
DIMENSIONS: 单位: 特 MM		CHK	NAME 名称	
TOLERANCES UNLESS OTHERWISE SPECIFIED: 一般公差		APVD	PRODUCT SPEC 製品規格	
0 PLC ± 0.5 1 PLC ± 0.5 2 PLC ± 0.5 3 PLC ± 0.5 4 PLC ± 0.5 ANGLES ± 5°		APPLICATION SPEC 取付適用規格	SOCKET ASSEMBLY, mPGA47X ZIF, 4mm	
MATERIAL 材料	FINISH 仕上	WEIGHT	SIZE 尺庫	RESTRICTED TO
△	△	-	A2 00779	-
CUSTOMER DRAWING		DRAWING NO 番号	SCALE 尺庫	REV
		C=1746208	1:1	A
			SHEET 3 OF 5	

THIS DRAWING IS UNPUBLISHED. RELEASED FOR PUBLICATION 3, 2004.
 © COPYRIGHT 2001 BY TYCO ELECTRONICS CORPORATION. ALL RIGHTS RESERVED.

LOC	DIST	REVISIONS				
		P	LTR	DATE	DWN	APVD
J	-	-	-	-	-	-
DESCRIPTION				SEE SHEET 1		

AS SHOWN : 1-1746208-1,-2 (DIP TYPE)



THIS DRAWING IS A CONTROLLED DOCUMENT.		DWN	Tyco Electronics AMP K.K. Kawasaki, Japan	
DIMENSIONS: 单位: 毫米 MM		CHK	NAME 名称	
TOLERANCES UNLESS OTHERWISE SPECIFIED: 一般公差 0 PLC ± 0.5 1 PLC ± 0.3 2 PLC ± 0.2 3 PLC ± 0.1 4 PLC ± - ANGLES ± 3°		APVD	SOCKET ASSEMBLY, mPGA47X ZIF, 4mm	
MATERIAL 材料		PRODUCT SPEC 製品規格	SIZE	RESTRICTED TO
FINISH 仕上		APPLICATION SPEC 取付適用規格	CAGE CODE	
		WEIGHT	DRAWING NO 番号	
		CUSTOMER DRAWING	SCALE 尺度	
			SHEET	
			OF	
			REV	

1746208