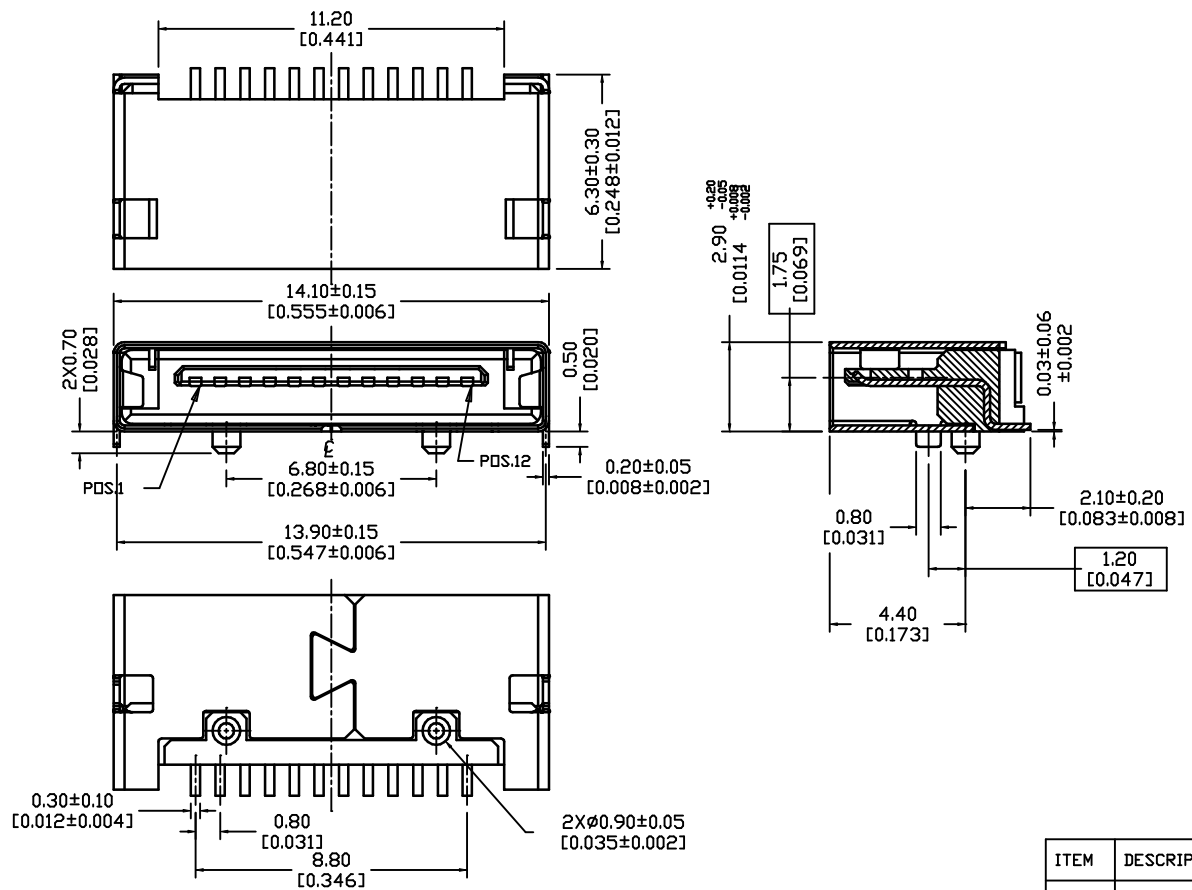
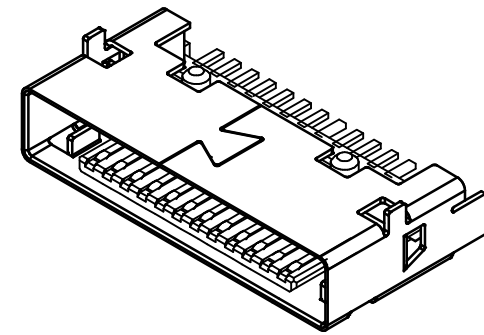
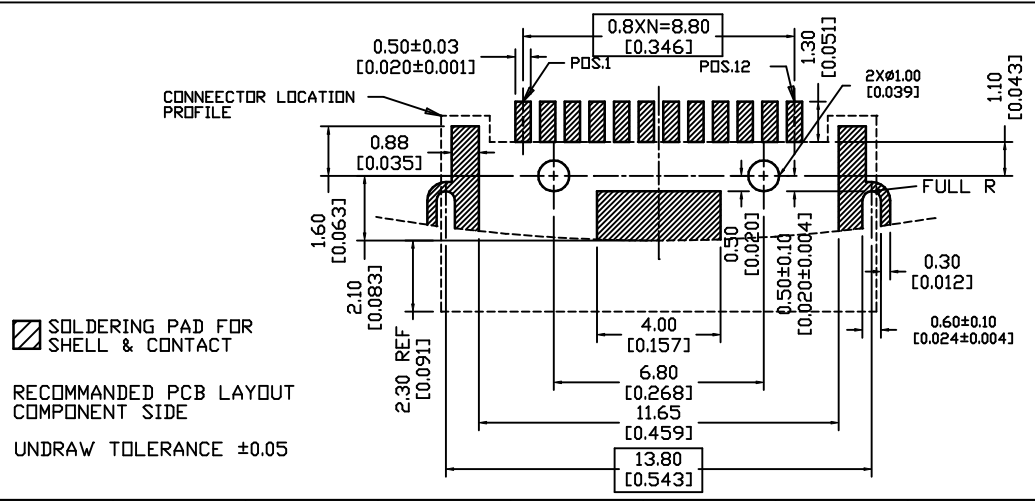


REV.	ECN.	NO.	APPD.
A	HC000951	LAY	
B	IC001953	G.X.SHI	



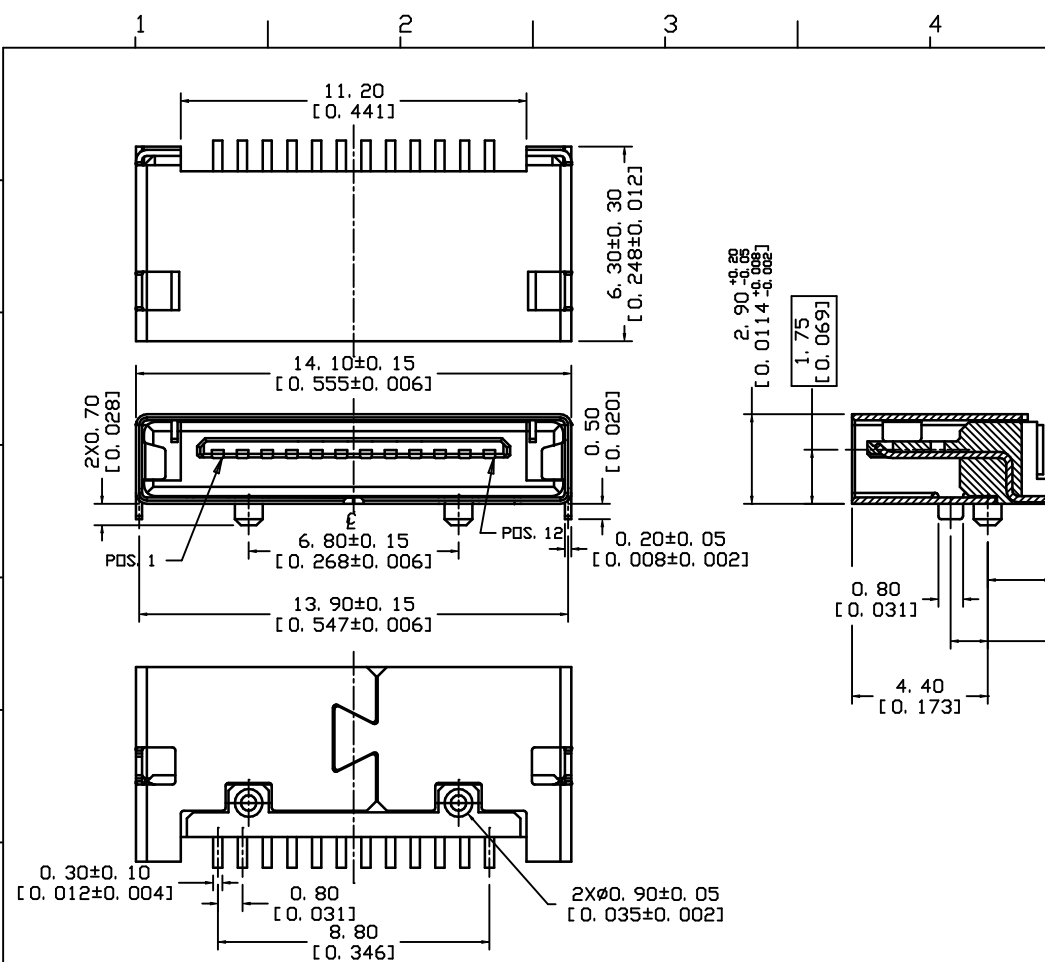
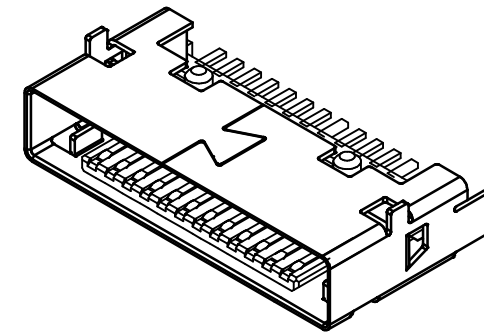
NOTES:
 1.PERFORMANCE:
 1-1. ELECTRICAL CHARACTERISTICS:
 1-1-1. CONTACT CURRENT RATING: 1.0 AMPERE.
 1-1-2. CONTACT RESISTANCE: 30 MILLIOHM MAX.(INITIAL)
 50 MILLIOHM MAX (FINAL).
 1-1-3. DIELECTRIC WITHSTANDING VOLTAGE: 200 V AC RMS.
 1-1-4. INSULATION RESISTANCE: 500 MEGOHM MIN.
 1-1-5. OPERATING VOLTAGE: 125 V AC RMS MAX.
 1-2. MECHANICAL CHARACTERISTICS:
 1-2-1. CONNECTOR MATING FORCE: 3 kg MAX.
 1-2-2. OPERATING TEMPERATURE: -40°C TO +85°C.
 [INCLUDING TERMINAL TEMPERATURE RISE]
 1-2-3. DURABILITY: 10000 CYCLES.

ITEM	DESCRIPTION	Q'TY	MATERIAL	FINISH	REMARK
1	HOUSING	1	L.C.P UL94V-0	MOLDED COLOR; BLACK	
2	SHELL	1	BRASS	TIN/LEAD PLATING 120*130 μ' OVER NICKEL PLATING 50 μ' MIN.	
3	CONTACT	12	PHOSPER BRONZE	50μ' min. NICKEL UNDERPLATING 120μ' min. TIN/LEAD PLATING ON SOLDERING AREA 30μ' min. GOLD PLATING ON CONTACT AREA	



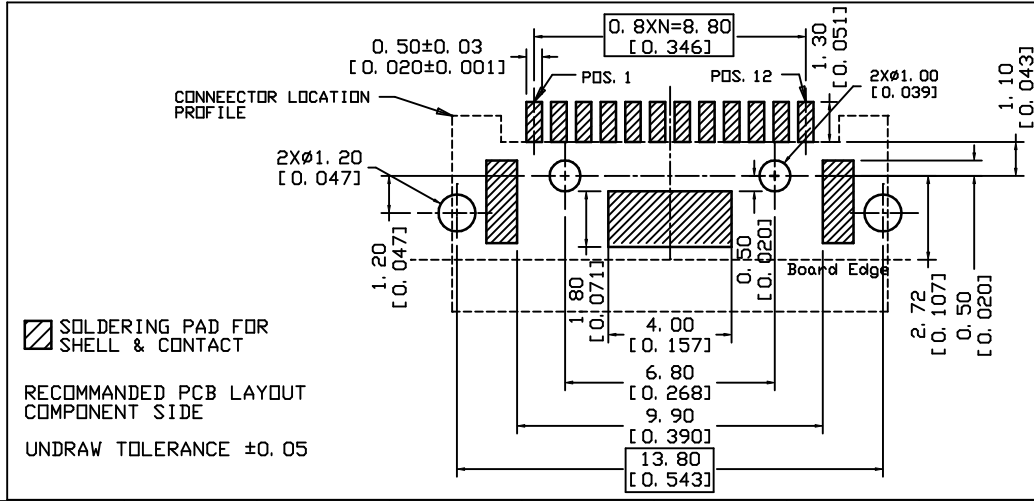
X ±	X' ±	UNITS	mm	NAME (INTENDED USE)	FOXCONN HON HAI PRECISION IND. CO.,LTD. TAIPEI, TAIWAN, R.O.C.
X ± 0.35 [0.014]	X' ±	MAT'L		CUSTOMER FOR COMPAQ	
XX ± 0.25 [0.010]	XX ±			PART NO.(INTENDED USE)	TITLE:
XXX ±	XXX ±	FINISH		QV51123-C01	PDA I/O SERIAL 12P FEMALE CONNECTOR
THESE DRAWINGS AND SPECIFICATIONS ARE THE PROPERTY OF HON HAI PRECISION IND. CO., LTD. AND SHALL NOT BE REPRODUCED, COPIED OR USED IN ANY MANNER WITHOUT THE PRIOR WRITTEN CONSENT OF HON HAI PRECISION IND. CO., LTD.				APPD: G.X.SHI 08/11/00	DWG NO:
				CHKD: S.Y.WANG 8/11/00	373-0000-001
				DR: C.F.YANG 08/11/00	SCALE SHEET REV.
					1/1 1/2 B

REV.	ECN. NO.	APPD.
A	HC000951	LAY
B	IC001953	G. X. SHI



- NOTES:
- PERFORMANCE:
 - ELECTRICAL CHARACTERISTICS:
 - CONTACT CURRENT RATING: 1.0 AMPERE.
 - CONTACT RESISTANCE: 30 MILLIOHM MAX. (INITIAL) 50 MILLIOHM MAX. (FINAL).
 - DIELECTRIC WITHSTANDING VOLTAGE: 200 V AC RMS.
 - INSULATION RESISTANCE: 500 MEGOHM MIN.
 - OPERATING VOLTAGE: 125 V AC RMS MAX.
 - MECHANICAL CHARACTERISTICS:
 - CONNECTOR MATING FORCE: 3 kg MAX.
 - OPERATING TEMPERATURE: -40°C TO +85°C. [INCLUDING TERMINAL TEMPERATURE RISE]
 - DURABILITY: 10000 CYCLES.

ITEM	DESCRIPTION	Q' TY	MATERIAL	FINISH	REMARK
1	HOUSING	1	L. C. P UL94V-0	MOLDED COLOR; BLACK	
2	SHELL	1	BRASS	TIN/LEAD PLATING 120" 130 u' OVER NICKEL PLATING 50 u' MIN.	
3	CONTACT	12	PHOSPER BRONZE	50u' min. NICKEL UNDERPLATING 120u' min. TIN/LEAD PLATING ON SOLDERING AREA 30u' min. GOLD PLATING ON CONTACT AREA	



X±	X'±	UNITS	mm	NAME (INTENDED USE)	FOXCONN HON HAI PRECISION IND. CO., LTD. TAIPEI, TAIWAN, R. O. C.
X± 0.35 [0.014]	X'±	MAT'L		CUSTOMER FOR MOLOROLA	
XX± 0.25 [0.010]	XX±			PART NO. (INTENDED USE)	TITLE:
XXX±	XXX±	FINISH		QV51123-C01	PDA I/O SERIAL 12P FEMALE CONNECTOR
THESE DRAWINGS AND SPECIFICATIONS ARE THE PROPERTY OF HON HAI PRECISION IND. CO., LTD. AND SHALL NOT BE REPRODUCED, COPIED OR USED IN ANY MANNER WITHOUT THE PRIOR WRITTEN CONSENT OF HON HAI PRECISION IND. CO., LTD.				APPD: G. X. SHI 07/13/00	DWG NO.:
				CHKD: S. Y. WANG 7/13/00	373-0000-001
				DR: C. F. YANG 07/13/00	SCALE SHEET REV.
					1/1 2/2 B