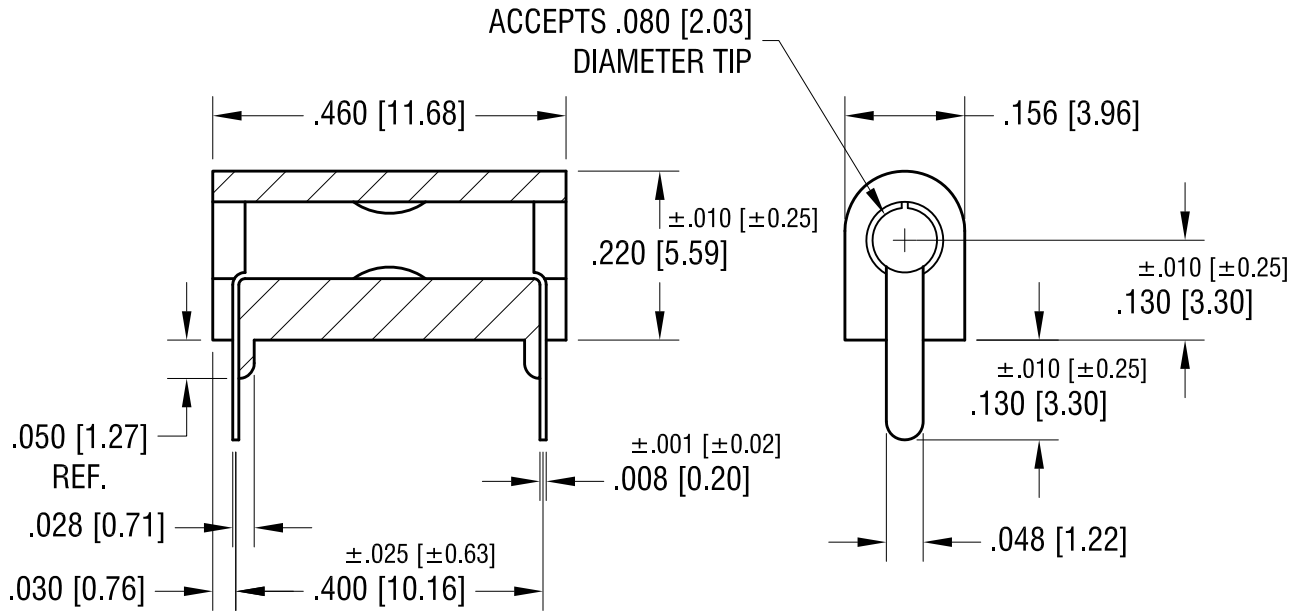
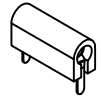


THIS DOCUMENT IS THE PROPERTY OF  
KEYSTONE ELECTRONICS CORP. AND  
SHALL NOT BE REPRODUCED, DISTRIBUTED  
OR USED AS A BASIS FOR MANUFACTURE  
WITHOUT PRIOR WRITTEN PERMISSION  
FROM KEYSTONE ELECTRONICS CORP.

**ACTUAL SIZE**



**NOTES:**

1. BODY: MAT'L - NYLON  
CONTACT: MAT'L - BERYLLIUM COPPER  
FINISH - GOLD PLATE
2. MOUNTING HOLES: .052 [1.32] DIA.

PART NO.	BODY COLOR
6060	WHITE
6061	RED
6062	BLACK
6063	YELLOW
6064	GREEN
6065	BLUE

DATE	DESCRIPTION	REV.
1.02.14	CHANGE AS PER ECN 14-005	E
7.8.05	CHANGE AS PER ECN 05-044	D

**KEYSTONE ELECTRONICS CORP.**

www.keyelco.com • ASTORIA, N.Y. 11105-2017 • Tel (718) 956-8900

PART NAME  
**LOW PROFILE HORIZONTAL PC PHONE JACK**

MATERIAL  
**AS NOTED**

FINISH <b>AS NOTED</b>	DRN BY <b>BOONE</b>	DATE <b>12.14.03</b>
	APP'D <b>LN</b>	SCALE <b>4X</b>

TOLERANCES INCH [MM]  
DECIMAL ± .005 [± 0.15]  
ANGULAR ± 1°  
UNLESS OTHERWISE SPECIFIED

CODE  
**C**

DWG NO.  
**6060 - 6065**