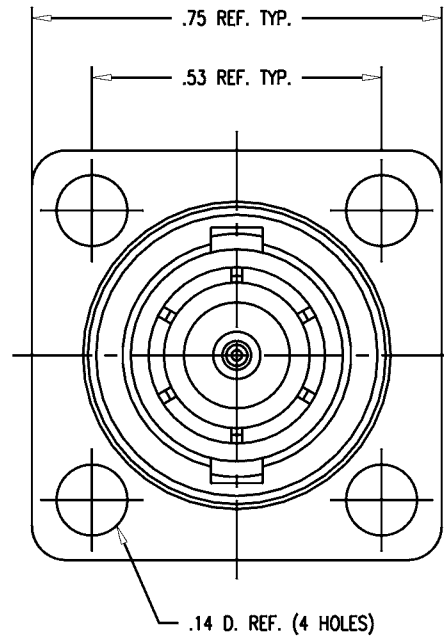
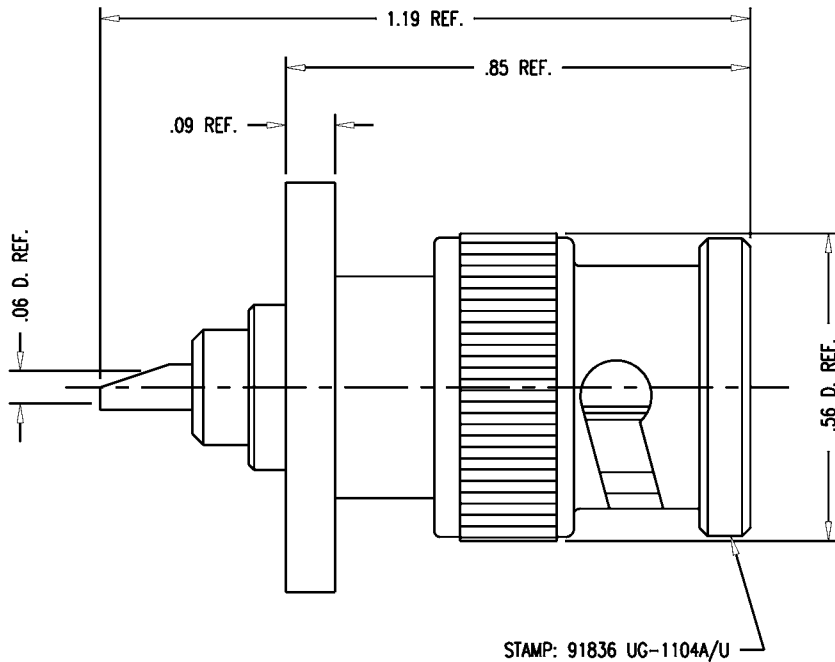


GSD

UG-1104A/U



NOTES:

1. INTERFACE PER MIL-STD-348, FIG. 301-1.
2. MATERIALS:
 INSULATOR: TEFLON, ASTM-D-4894
 GASKETS: SILICONE RUBBER, ZZ-R-765
 SPRING WASHER: BER. COPPER, ASTM-B-196
 ALL OTHER METAL PARTS: BRASS, ASTM-B16
3. FINISHES:
 ALL METAL PARTS: SILVER PLATE PER QQ-S365
4. ELECTRICAL CHARACTERISTICS:
 NOMINAL IMPEDANCE: 50 OHMS
 WORKING VOLTAGE: 500 VRMS
 FREQUENCY RANGE: DC TO 4 GHz

REVISIONS

ISSUE	CHANGES
6	CN 35690 C REDRAWN KH 09/02/94

KAM3864

SCALE 4:1

APPROX SURFACE AREA

KC-74-09

USED ON

REF:

RECEPTACLE, PANEL, BNC, M

DRAWN KH	DATE 09/02/94
----------	---------------

DESIGN LI	DATE 09/06/94
-----------	---------------

APPR.	DATE
-------	------

KINGS
ELECTRONICS CO., INC.
TUCKAHOE, NEW YORK 10707

GSD

UG-1104A/U