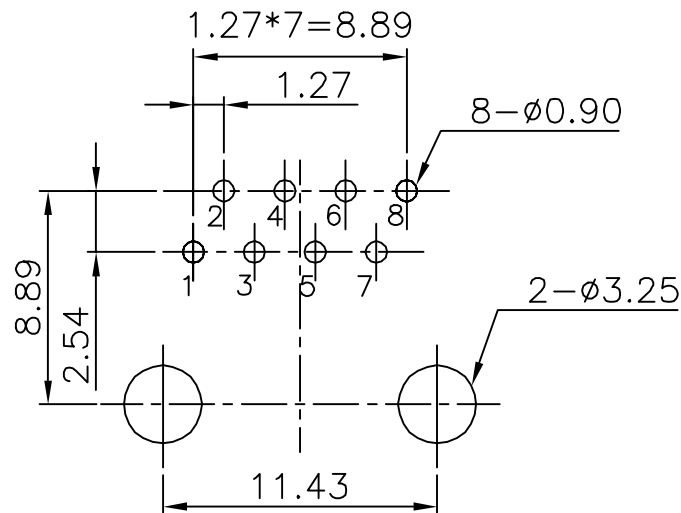
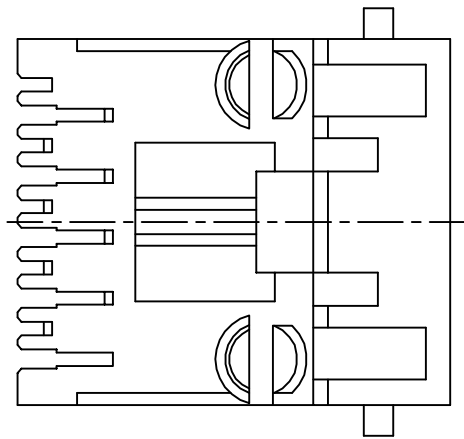


PCB LAYOUT/TOP VIEW



Materials and Finish

Housing Material-
PBT Thermoplastic
UL 94V-0 Rated
Color: Black

Contact Material-
Phosphor Bronze

Contact Plating Options-
Standard: 0.0001" Nickel
Plating, Selective Plating
0.000015" Gold on Contact
Area

50: 0.0001" Nickel Plating,
Selective Plating 0.000050"
Gold on Contact Area to
Comply with FCC Requirements
Under No. 47 C.F.R. Part 68,
Subpart F

Electrical Characteristics

Insulation Resistance-
500 Megohms Min.

Dielectric Withstanding Voltage-
1000V rms, 60Hz

Contact Resistance-
20 milliohms Max.

Current Rating-
1.5 Amps

Part Number	t_gold
GDL-A-88	Flash
GDL-A-88-50	50u"

CSA NRTL/C Certified File No. LR78160

REVISION	DATE	DESCRIPTION	DRAWN BY	DESIGNED BY	UNITS
A2	1/21/00	ECO #00-001	K. Wallace		mm
B1	11/30/00	ECO #00-206	REVISED BY	APPROVED BY	DATE
C1	4/9/02	ECO #01-066	C. Leiva		11/29/00

GDL-A-88

Modular Jack, Right angle

8 Pos, 8 Contacts, non-shielded

