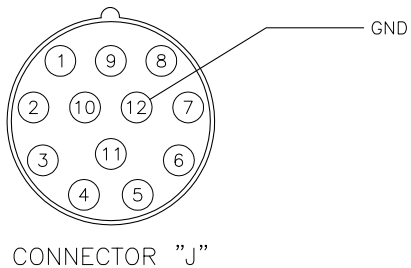
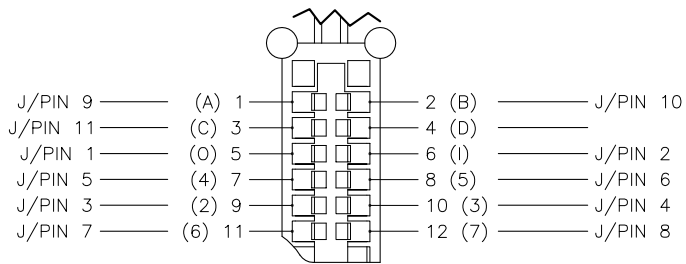
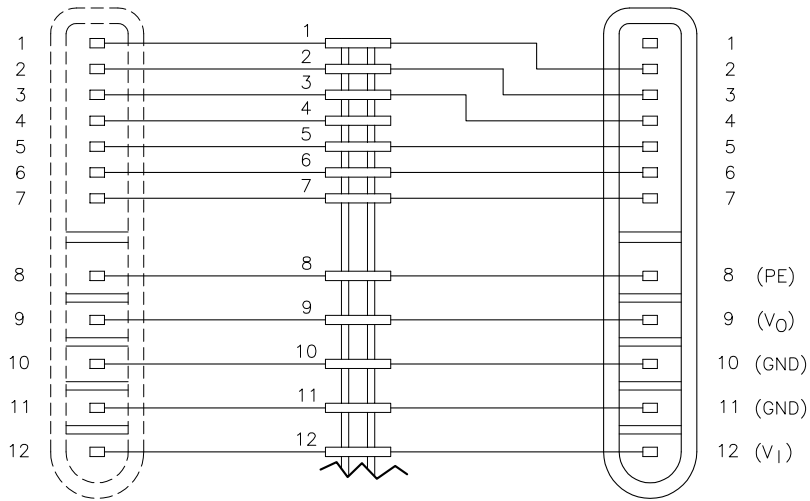
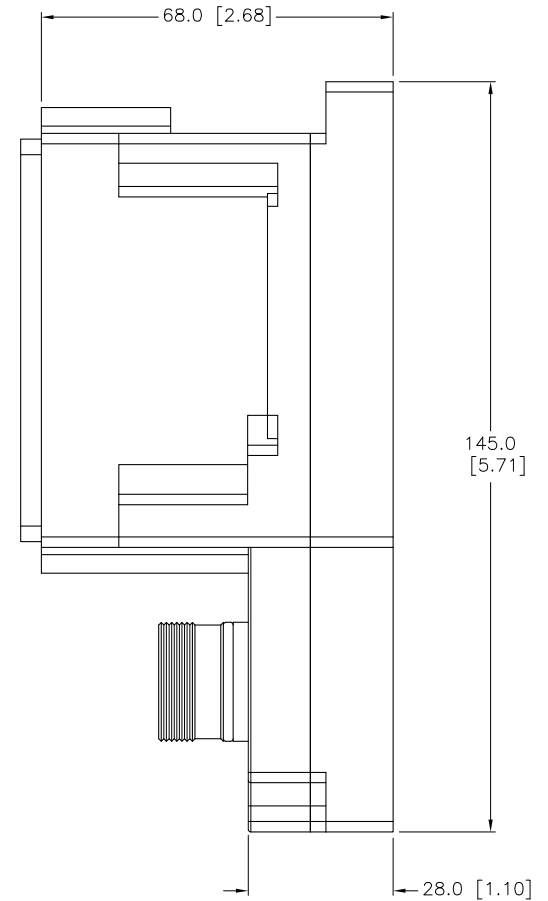
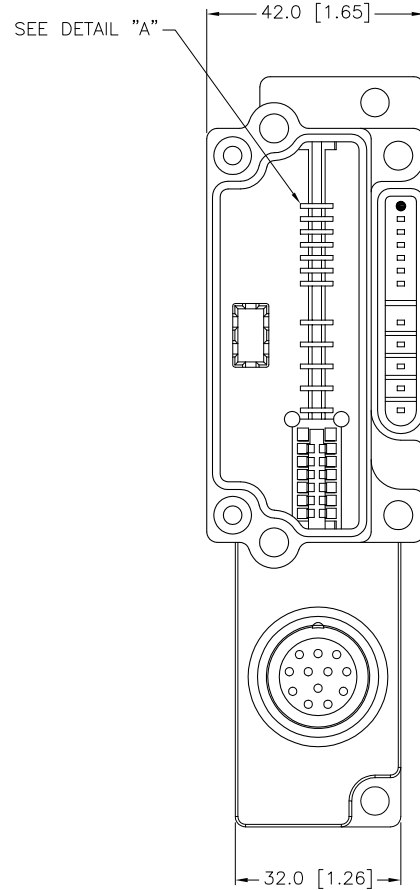


DETAIL "A"



SPECIFICATIONS	
HOUSING MATERIAL/COLOR	PC-VO (LEXAN)/GREY
RECEPTACLE MATERIAL/PLATING	BRASS/NICKEL
RATED CURRENT [A]	6.0 A (MULTIFAST)



SOURCE DRAWING - FOR REFERENCE ONLY

RELATED DOCUMENTS 1. 2. 3. 4.	3RD ANGLE PROJECTION 	THIS DRAWING IS PROPERTY OF TURCK INC. USE OF THIS DOCUMENT WITHOUT WRITTEN PERMISSION IS PROHIBITED.		TURCK INC <i>High Technology Sensors and Automation Controls</i> 3000 CAMPUS DRIVE MINNEAPOLIS, MN 55441 1-800-544-7769 (763) 553-7300 (763) 553-0708 fax turck.com	
	MATERIAL	DRFT RDS	DATE 06/29/05	DESCRIPTION BL67-B-1M23	
FINISH	ALL DIMENSIONS DISPLAYED ON THIS DRAWING ARE FOR REFERENCE ONLY	DSGN BG	SCALE 1=1.5	IDENTIFICATION NO. M6827213	
	CONTACT TURCK FOR MORE INFORMATION	UNIT OF MEASUREMENT MILLIMETER [INCH]		REV A	
A	DRAWING RELEASE	RDS	06/29/05	DO NOT SCALE THIS DRAWING	
REV	DESCRIPTION	BY	DATE	ECO NO.	FILE: M6827213
				SHEET 1 OF 1	