

## Installation Instructions for *Gi, Fi, Ji, Ki, Li,* Molded Case Circuit Breakers Universal Line



**WARNING**

**DO NOT ATTEMPT TO INSTALL OR PERFORM MAINTENANCE ON EQUIPMENT WHILE IT IS ENERGIZED. SEVERE PERSONAL INJURY, DEATH, OR SUBSTANTIAL PROPERTY DAMAGE CAN RESULT FROM CONTACT WITH ENERGIZED EQUIPMENT. ALWAYS VERIFY THAT NO VOLTAGE IS PRESENT BEFORE PROCEEDING WITH THE TASK, AND ALWAYS FOLLOW GENERALLY ACCEPTED SAFETY PROCEDURES.**

**CUTLER-HAMMER, EATON INC. IS NOT LIABLE FOR THE MISAPPLICATION OR MISINSTALLATION OF ITS PRODUCTS.**

The recommendations and information contained herein are based on Cutler-Hammer experience and judgment, but should not be considered to be all-inclusive or covering every application or circumstance which may arise. If any questions arise, contact Cutler-Hammer Products for further information or instructions.

**Rating - IEC 947-2 and UL489**

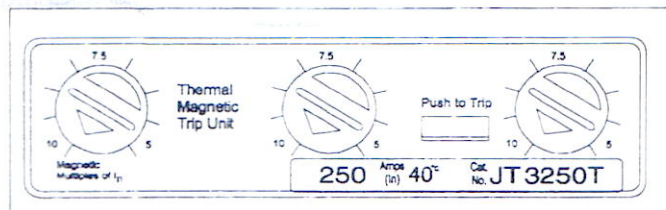
Icu/Ics Range(Amps)	<i>Gi</i> 125A 15-125	<i>Gi</i> 125A 15-125	<i>Fi</i> 225A 15-225	<i>Ji</i> 250A 250	<i>Ki</i> 400A 300-400	<i>Li</i> 630A 500-630	<i>Li</i> 800A 700-800
220/240VAC	18/5	25/7	35/18	35/18	35/18	35/18	42/21
380VAC		18/5	25/13	25/13	25/13	25/13	35/18
415VAC		18/5	25/13	25/13	25/13	25/13	35/18
440VAC		14/4	20/10	20/10	20/10	20/10	30/15
240VAC NEMA	14	25	25	35	35	35	42
277VAC NEMA	14						
480VAC NEMA		14	14	20	20	20	30
250VDC			10/5	10/5	10/5	20/10	20/10
# Poles	1	2,3	2,3	3	3	3	3

**1. Installation**

The installation procedure consists of inspecting the circuit breaker and installing the terminals; mounting the circuit breaker, connecting the line and load conductors; torquing terminals; and attaching terminal shields, as required. Torque values for line/load terminals are given in Table 1.

**Note:** Universal Line circuit breakers are factory sealed. Internal accessories must be installed by the factory.

Breaker Type	Trip Unit Type: Thermal-Magnetic		
	Thermal	Magnetic	Mult. of Ith
<i>Gi</i>	Fixed	Fixed	
<i>Fi</i>	Fixed	Fixed	
<i>Ji</i>	Fixed	Adjustable	5 to 10
<i>Ki</i>	Fixed	Adjustable	5 to 10
<i>Li</i> 630A	Fixed	Adjustable	5 to 10
<i>Li</i> 800A	Fixed	Adjustable	4 to 8



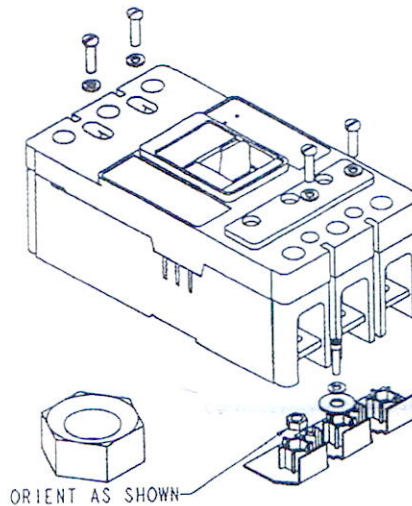
**Standard Termination**

Breaker	Termination Type	Terminal Cat. #	Awg Wire Range	Metric Wire Range (mm)	Wire Type	Bolt Size English	Bolt Size Metric	Torque Lb-in.	Torque N-m
Gi	Wire	Included	#14-1/0	2.5-50	Cu Only	-	-	45	5.1
Fi	End Cap	-	-	-	-	10-32	M5	34-38	4.0-4.4
Ji	End Cap	-	-	-	-	5/16	M8	120-144	14-16
Ki	End Cap	-	-	-	-	5/16	M8	120-144	14-16
Li 630A	End Cap	-	-	-	-	5/16	M8	120-144	14-16

**Optional Wire Collars**

Breaker	Terminal Cat. #	Awg Wire Range	Metric Wire Range (mm)	Wire Type	Torque Lb-in.	Torque N-m
Fi	3T100FB*	#14 - #10	2.5 - 4	Cu/Al	35	4.0
Fi	3T100FB*	#8	10	Cu/Al	40	4.5
Fi	3T100FB*	#6 - #4	10 - 25	Cu/Al	45	5.1
Fi	3T100FB*	#3 - 4/0	25 - 95	Cu/Al	50	5.7
Fi	3T150FB*	#3 - 4/0	25 - 95	Cu Only	50	5.7
Fi	3TA225FD*	#4 - 4/0	25 - 95	Cu/Al	120	13.9
Fi	3TA225FDK*	#6 - 300	16 - 150	Cu/Al	275	31.1
Ji	TA250KB	4 - 350	25 - 185	Cu/Al	275	31.1
Ki	TA350K	250-500 (1)	120-240 (1)	Cu/Al	375	42.0
Ki	3TA400K*	3/0-250 (2)	95-120 (2)	Cu/Al	275	31.1
Li 630A	TA602LD	250-350 (2)	120-185 (2)	Cu/Al	275	31.1
Li 630A	3TA603LDK*	400-500 (2)	185-240(2)	Cu/Al	275	31.1

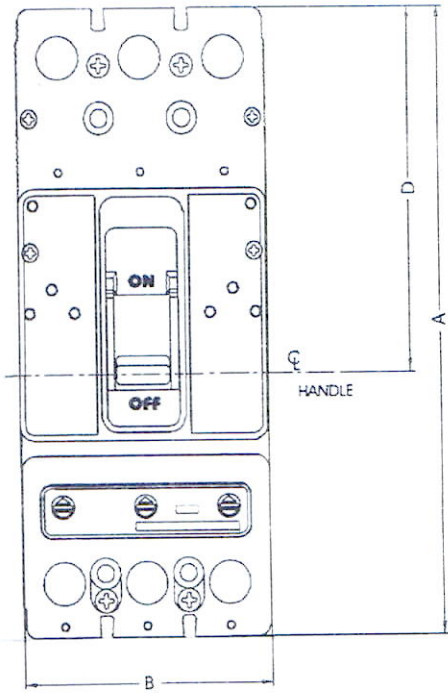
\* Package of three.



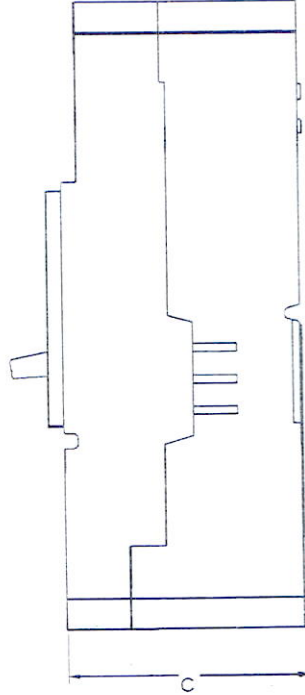
Dimensions (mm)

Gi, Fi, Ji, Ki

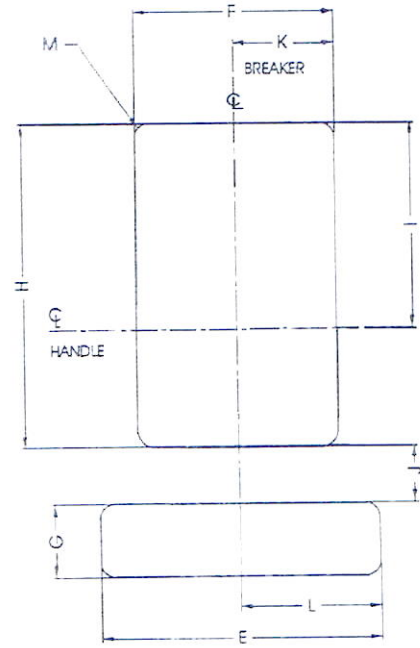
FRONT VIEW



SIDE VIEW



FRONT COVER CUTOUT



Frame	A	B	C	D	E	F	G	H	I	J	K	L	M
Gi	123.80	76.20	66.70	73.80	N/A	76.20	N/A	56.30	38.10	N/A	38.10	N/A	0.00
Fi	152.40	104.80	85.70	92.10	N/A	30.20	N/A	73.80	58.80	N/A	15.10	N/A	6.40
Ji	254.00	104.80	103.20	147.20	88.90	39.70	22.20	100.00	74.20	18.20	19.80	44.50	8.70
Ki	257.20	139.50	103.20	146.50	121.50	66.70	31.80	95.30	74.20	20.63	33.40	60.70	8.70