

# Connector for miniSD™ Card

SCJB Series



Low-profile type with a thickness of 2.15mm features high reliability contact structure.

For SD Memory Card

For miniSD™ Card

For microSD™ Card

For W-SIM

For Memory Stick Micro™

For Memory Stick™

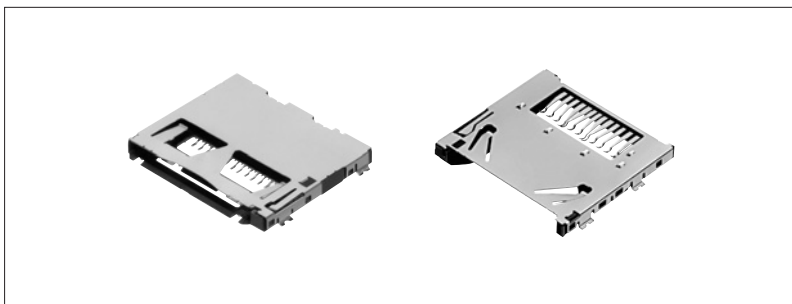
Combine Type

For Compact Flash™

For PC cards supporting CardBus

For Express Card™

For CMOS Camera Module



## Features

- Media half-lock structure stops media from flying out during ejection, preventing the dropping and loss of media.
- Media detection switch adopts a highly reliable structure where the contact slides at ON/OFF to ensure detection of media insertion timing.
- Strong card-lock with high shock resilience.
- Compact size and low-profile.

## Applications

- For digital still cameras, digital camcorders, mobile phones, PCs and personal digital assistants
- For portable memory players

## Typical Specifications

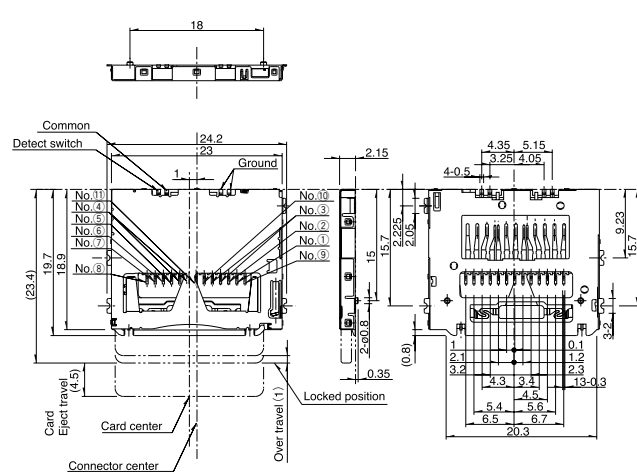
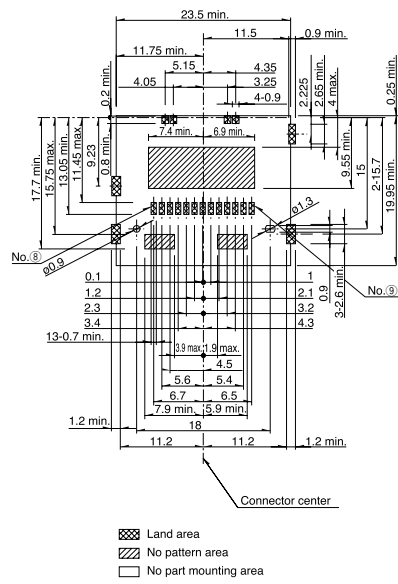
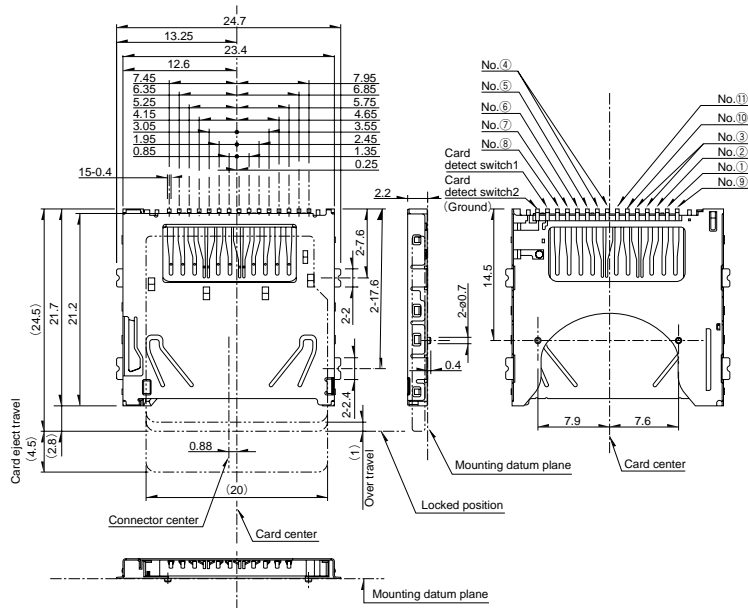
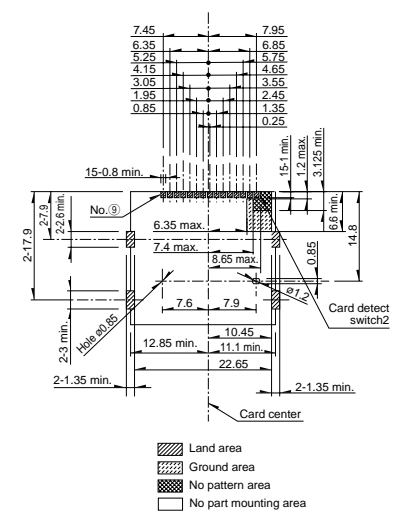
Items		Specifications	
Structure	Applicable media	miniSD™ Card	
	Mounting type	Surface mounting type	
	Mounting style	Standard mount/Reverse mount	
	Media ejection structure	Push-push type	
Performance	Operating temperature range	-25°C to +70°C	
	Voltage proof	500V AC 1minute	
	Insulation resistance (Initial)	1,000MΩ min.	
	Contact resistance (Initial)	Connector contacts	100mΩ max.
		Detection switch	500mΩ max.
Insertion and removal cycle	10,000cycles		

## Product Line

Media ejection structure	Mounting style	Stand-off (mm)	Packing system	Product No.	Drawing No.
Push-push type	Standard mount	0	Taping	SCJB1B0301	1
	Reverse mount			SCJB2B0201	2

Dimensions

Unit:mm

No.	Style	PC board mounting hole dimensions (Viewed from the mounting face side)
1	<p><b>Standard mount</b></p> 	 <p> <span style="display:inline-block; width:10px; height:10px; background-color:black; border:1px solid black;"></span> Land area  <span style="display:inline-block; width:10px; height:10px; background-color:gray; border:1px solid black;"></span> No pattern area  <span style="display:inline-block; width:10px; height:10px; border:1px solid black;"></span> No part mounting area         </p>
2	<p><b>Reverse mount</b></p> 	 <p> <span style="display:inline-block; width:10px; height:10px; background-color:black; border:1px solid black;"></span> Land area  <span style="display:inline-block; width:10px; height:10px; background-color:gray; border:1px solid black;"></span> Ground area  <span style="display:inline-block; width:10px; height:10px; background-color:lightgray; border:1px solid black;"></span> No pattern area  <span style="display:inline-block; width:10px; height:10px; border:1px solid black;"></span> No part mounting area         </p>

For SD Memory Card

For miniSD™ Card

For microSD™ Card

For W-SIM

For Memory Stick Micro™

For Memory Stick™

Combine Type

For Compact Flash™

For PC cards supporting CardBus

For Express Card™

For CMOS Camera Module