

5mm x 20mm Fuses

GMC Series Medium Time Delay, Glass Tube

Description

- Medium time delay, low breaking capacity
- Optional axial leads available
- 5mm x 20mm physical size
- Glass tube, nickel-plated brass endcap construction
- Designed to UL/CSA 248-14
- RoHS Compliant version available (-R option)

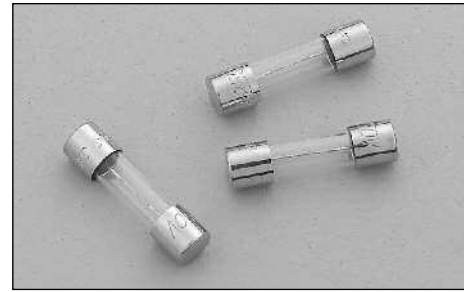
| ELECTRICAL CHARACTERISTICS | | |
|----------------------------|-----------------|--------------------|
| Rated Current | % of Amp Rating | Opening Time |
| 63mA - 10A | 100% | None |
| | 135% | 60 minutes maximum |
| | 200% | 2 minutes maximum |

Agency Information

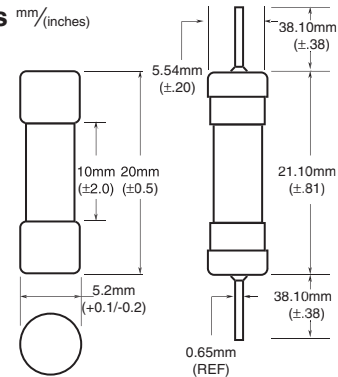
- UL Listed, Guide JDYX, File E19180, 63mA-6.3A
- UL Recognized Card: (7A-8A) Guide JDYX2, File E19180
- CSA Certified, Class 1422-01, File E65063, 63mA-6.3A

Ordering

- Specify product code, option code and packaging code
- For -R option, drop mA or A from product code (i.e. GMC-2-R)



Dimensions mm/(inches)



- Ratings above 6.3A have a 0.8mm diameter lead

SPECIFICATIONS

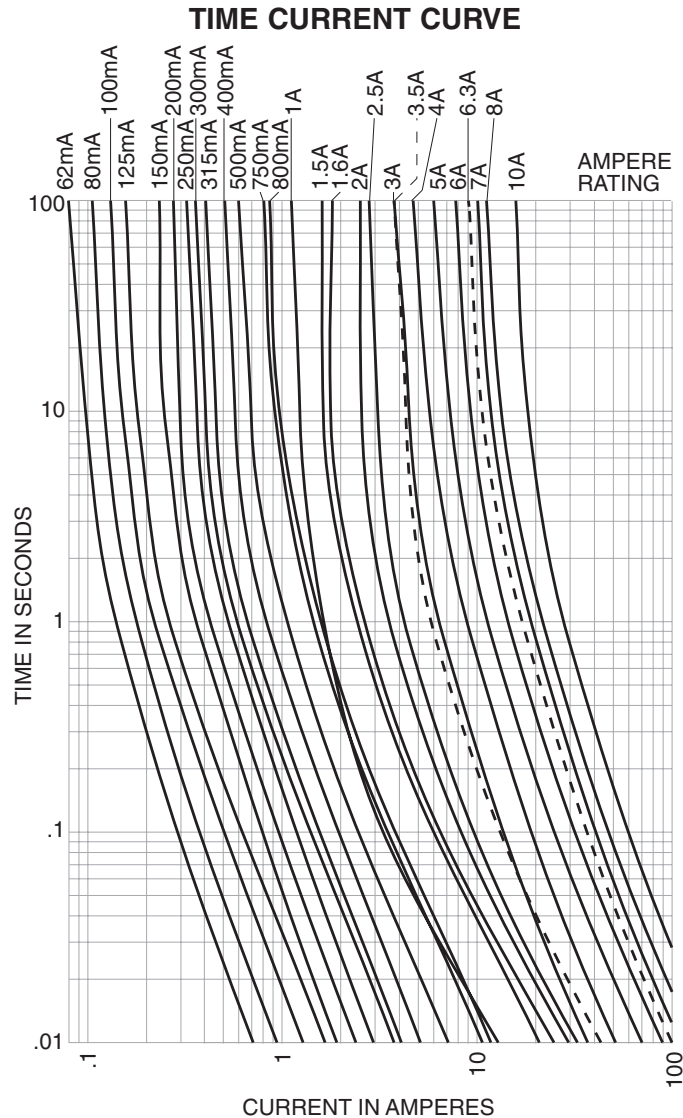
| Product Code | Voltage Rating AC | AC Interrupting Rating* | | Typical DC Cold Resistance (ohms)** | Typical Pre-Arc I [†] t AC† | Maximum Voltage Drop (mV)‡ |
|--------------|-------------------|-------------------------|---------|-------------------------------------|--------------------------------------|----------------------------|
| | | 250V | 125V | | | |
| GMC-63mA | 250V | 35A | 10,000A | 10.350 | 0.0027 | 1400 |
| GMC-80mA | 250V | 35A | 10,000A | - | 0.0050 | 1400 |
| GMC-100mA | 250V | 35A | 10,000A | 4.775 | 0.0094 | 1200 |
| GMC-125mA | 250V | 35A | 10,000A | 3.400 | 0.014 | 1000 |
| GMC-150mA | 250V | 35A | 10,000A | 2.555 | 0.022 | 800 |
| GMC-160mA | 250V | 35A | 10,000A | 2.295 | 0.022 | 730 |
| GMC-200mA | 250V | 35A | 10,000A | 1.395 | 0.032 | 650 |
| GMC-250mA | 250V | 35A | 10,000A | 0.965 | 0.046 | 490 |
| GMC-300mA | 250V | 35A | 10,000A | 0.838 | 0.081 | 580 |
| GMC-315mA | 250V | 35A | 10,000A | 0.685 | 0.081 | 480 |
| GMC-400mA | 250V | 35A | 10,000A | 0.615 | 0.18 | 510 |
| GMC-500mA | 250V | 35A | 10,000A | 0.335 | 0.41 | 370 |
| GMC-600mA | 250V | 35A | 10,000A | 0.282 | 0.60 | 360 |
| GMC-630mA | 250V | 35A | 10,000A | 0.246 | 0.66 | 360 |
| GMC-700mA | 250V | 35A | 10,000A | 0.213 | 0.85 | 340 |
| GMC-750mA | 250V | 35A | 10,000A | 0.213 | 0.85 | 320 |
| GMC-800mA | 250V | 35A | 10,000A | 0.180 | 0.85 | 290 |
| GMC-1A | 250V | 35A | 10,000A | 0.156 | 1.8 | 250 |
| GMC-1.25A | 250V | 100A | 10,000A | 0.098 | 3.4 | 200 |
| GMC-1.5A | 250V | 100A | 10,000A | 0.076 | 5.4 | 190 |
| GMC-1.6A | 250V | 100A | 10,000A | 0.067 | 5.8 | 160 |
| GMC-2A | 250V | 100A | 10,000A | 0.043 | 8.9 | 130 |
| GMC-2.5A | 250V | 100A | 10,000A | 0.035 | 13 | 130 |
| GMC-3A | 250V | 100A | 10,000A | 0.026 | 19 | 130 |
| GMC-3.15A | 250V | 100A | 10,000A | 0.025 | 23 | 130 |
| GMC-3.5A | 125V | - | 10,000A | 0.022 | 25 | 130 |
| GMC-4A | 125V | - | 10,000A | 0.019 | 36 | 120 |
| GMC-5A | 125V | - | 10,000A | 0.014 | 58 | 120 |
| GMC-6A | 125V | - | 10,000A | 0.013 | 88 | 120 |
| GMC-6.3A | 125V | - | 10,000A | 0.012 | 110 | 120 |
| GMC-7A | 125V | - | 200A | 0.012 | 150 | 120 |
| GMC-8A | 125V | - | 200A | 0.009 | 200 | 110 |
| GMC-10A | 125V | - | 200A | 0.007 | 300 | 110 |

* Interrupting ratings: Interrupting ratings for 63mA - 6.3A were measured at 70% - 80% power factor on AC. The interrupting ratings for 7A - 10A were measured at 100% power factor on AC.

** DC Cold Resistance (Measured at <10% of rated current)

† Typical Pre-Arching I[†]t (I[†]t was measured at listed interrupting rating and rated voltage)

‡ Maximum Voltage drop (Voltage drop was measured at 20°C ambient temperature at rated current)



| OPTION CODE | |
|--------------------|--|
| Option Code | Description |
| V | Axial leads - copper tinned wire with nickel plated brass overcaps |
| -R | RoHS compliant version |

| PACKAGING CODE | |
|-----------------------|--|
| Packaging Code | Description |
| BK | 100 pieces of fuses packed into a cardboard carton |
| BK1 | 1,000 pieces of fuses packed into a poly bag |
| TR2 | 1,500 pieces of fuses packed into tape on a reel |

North America

Cooper Electronic Technologies
 3601 Quantum Boulevard
 Boynton Beach, FL 33426-8638
 Tel: 1-561-752-5000
 Fax: 1-561-742-0134
 Toll Free: 1-888-414-2645

Cooper Bussmann
 P.O. Box 14460
 St. Louis, MO 63178-4460
 Tel: 1-636-394-2877
 Fax: 1-800-544-2570

Europe

Cooper Electronic Technologies
 Cooper (UK) Limited
 Burton-on-the-Wolds
 Leicestershire • LE12 5TH UK
 Tel: +44 (0) 1509 882 737
 Fax: +44 (0) 1509 882 786

Asia Pacific

Cooper Electronic Technologies
 1 Jalan Kilang Timor
 #06-01 Pacific Tech Centre
 Singapore 159303
 Tel: +65 278 6151
 Fax: +65 270 4160