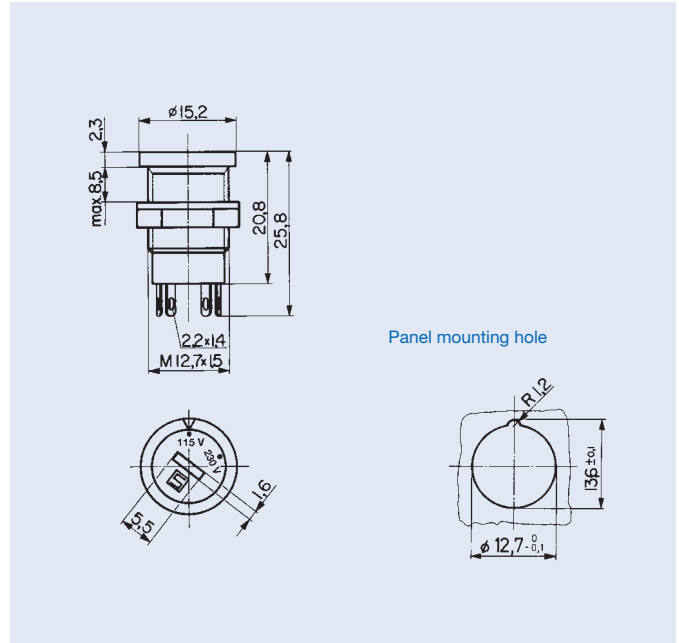
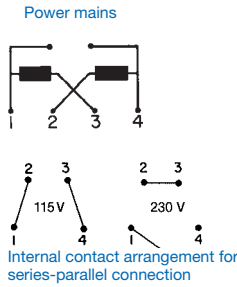
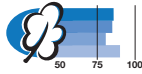


**VOLTAGE SELECTOR SWITCHES**

**SWA**

**Type SWA (2 positions)**

Series-parallel connections, for panel mounting, set by screwdriver or coin. Solder terminals

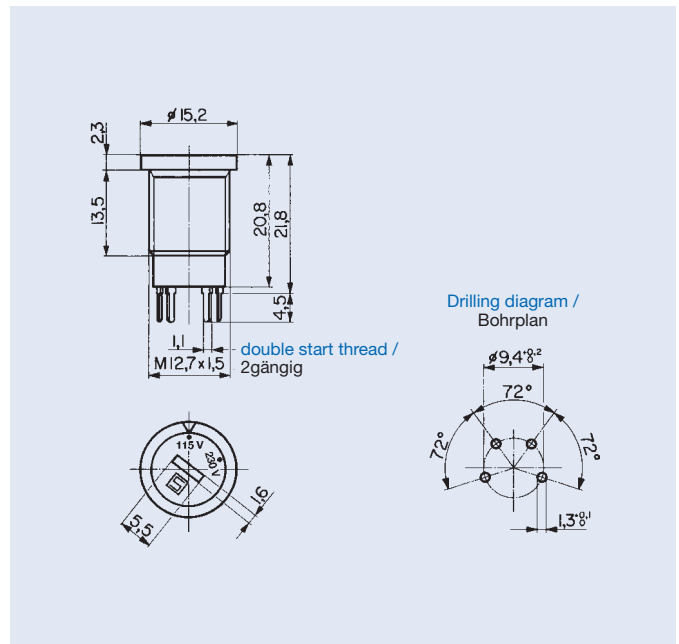
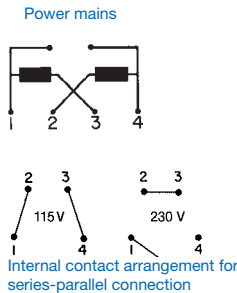
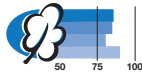


**Order No.**

See page 192

**Type SWA (2 positions)**

Series-parallel connections, for PCB mounting, set by screwdriver or coin



**Order No.**

See page 192

**Technical data:**

- Rated voltage/current 6,3 A/250 V
- Material:
  - Socket: thermoplastic, black, UL 94V-0

Additional technical data see page 186

**Standards**

IEC/EN 61058-2-5, UL 508, CSA C 22.2/55

**Approvals**

|  |       |                 |  |     |                 |
|--|-------|-----------------|--|-----|-----------------|
|  | SEV   | (6,3 A / 250 V) |  | UL  | (6,3 A / 250 V) |
|  | VDE   | (6,3 A / 250 V) |  | CSA | (6,3 A / 250 V) |
|  | SEMCO | (6,3 A / 250 V) |  |     |                 |

Other voltage markings see page 192 (min. order quantity 100 pieces)

\* Medium-term replacement of SEV, VDE & SEMKO approvals by the European ENEC conformity mark pending

# VOLTAGE SELECTOR SWITCHES

## Selector charts for voltage selector legends

**Table 1**  
SWA – Series

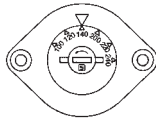
See page 186, 187 for technical data



| Order No.<br>Panel<br>mount | Order No.<br>PCB<br>mount | Legends (Position 1+2) |       |
|-----------------------------|---------------------------|------------------------|-------|
|                             |                           | 1                      | 2     |
| 0033.4501                   | 0033.4601                 | 110                    | 220   |
| 0033.4502                   |                           | 115                    | 220   |
| 0033.4503                   | 0033.4603                 | 120                    | 240   |
| 0033.4504                   | 0033.4604                 | 115                    | 230   |
| 0033.4505                   |                           | 220                    | 240   |
| 0033.4508                   |                           | 50 Hz                  | 60 Hz |
| 0033.4510                   |                           | 230                    | 240   |
| 0033.4513                   |                           | LO                     | HI    |
| 0033.4514                   |                           |                        |       |
| 0033.4515                   | 0033.4615                 | 120                    | 230   |
| 0033.4518                   |                           | 0                      | 1     |
|                             | 0033.4619                 | 100                    | 230   |
| 0033.4521                   |                           | A                      | B     |

**Table 4**  
SWS – Series

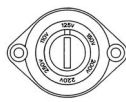
See page 186, 189 for technical data



| Order No.<br>Solder therm. | Quick con term | Legends (Pos. 1-6) |     |     |     |     |     |
|----------------------------|----------------|--------------------|-----|-----|-----|-----|-----|
|                            |                | 1                  | 2   | 3   | 4   | 5   | 6   |
| 0033.6001                  | 0033.6101      | 150                | 220 | 130 | 260 | 110 | 240 |
| 0033.6003                  |                |                    |     | 110 | 220 |     |     |
| 0033.6004                  | 0033.6104      | 140                | 200 | 120 | 240 | 100 | 220 |
| 0033.6006                  |                | 130                | 220 | 120 | 240 | 110 | 230 |
| 0033.6009                  |                | 127                | 200 | 115 | 240 | 100 | 220 |
| 0033.6015                  |                |                    | 120 | 240 | 100 | 220 |     |
| 0033.6016                  |                |                    | 220 | 120 |     |     | 240 |
| 0033.6019                  |                |                    | 200 | 120 | 240 | 100 | 220 |
| 0033.6022                  | 0033.6122      |                    | 220 | 120 |     | 100 | 240 |
| 0033.6024                  |                | 130                | 200 | 115 | 230 | 100 | 220 |
| 0033.6026                  |                | 120                | 220 |     |     | 100 | 240 |
|                            | 0033.6127      |                    | 240 | 100 |     | 120 | 220 |
| 0033.6030                  |                |                    | 200 | 115 | 230 | 100 | 215 |
| 0033.6031                  |                |                    | 220 |     |     | 110 | 240 |

**Table 5**  
SWP – Series

See page 186, 189 for technical data



| Order No.<br>Bestell-Nr. | Legends (Pos. 1-6) |      |      |      |      |      |
|--------------------------|--------------------|------|------|------|------|------|
|                          | 1                  | 2    | 3    | 4    | 5    | 6    |
| 0033.1101                | 110V               | 125V | 145V | 160V | 220V | 250V |
| 0033.1104                |                    |      |      |      |      |      |
| 0033.1108                | Λ00L               | Λ51L | ΛZ1L |      | 220V | 240V |
| 0033.1109                | 100V               | 115V | 120V | 220V | 240V |      |
| 0033.1110                | 100V               | 115V | 200V | 220V | 230V | 240V |
| 0033.1113                | 100V               | 115V | 125V | 200V | 220V | 240V |
| 0033.1118                |                    | 100V | 115V | 220V | 240V |      |
| 0033.1119                | 100V               | 110V | 120V | 200V | 220V | 240V |
| 0033.1120                | 100V               | 110V | 220V | 240V |      |      |
| 0033.1125                | 110V               | 115V | 130V | 200V | 230V |      |
| 0033.1127                | 100V               | 120V | 200V | 220V | 230V | 240V |
| 0033.1128                | 100V               | 110V | 120V | 127V | 220V | 240V |
| 0033.1130                | 100V               | 110V | 120V | 125V | 230V | 240V |
| 0033.1133                | 4 Ω                | 8 Ω  | 16 Ω |      |      |      |
| 0033.1134                | 110V               | 220V | 230V |      |      |      |
| 0033.1135                | 100                | 120  | 200  | 230  | 0    | 0    |
| 0033.1136                | 100                | 120  | 200  | 208  | 230  | 0    |
| 0033.1137                | 100                | 115  | 230  | 240  |      |      |
| 0033.1140                | 1                  | 2    | 3    | 4    | 5    | 0    |

**Table 2**  
SWM – Series

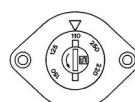
See page 186, 190 for technical data



| Order No.<br>Panel<br>mount | Order No.<br>PCB<br>mount | Legends (Position 1-3) |      |         |
|-----------------------------|---------------------------|------------------------|------|---------|
|                             |                           | 1                      | 2    | 3       |
| 0033.4001                   |                           | 110                    | 150  | 220     |
| 0033.4002                   | 0033.4202                 | 110                    | 220  | 240     |
| 0033.4003                   |                           | 220                    | 240  |         |
| 0033.4004                   |                           | 200                    | 220  | 240     |
| 0033.4006                   |                           | 220                    | 240  | 250     |
| 0033.4008                   | 0033.4208                 | 100                    | 115  | 230     |
| 0033.4011                   |                           | 220                    | 230  | 240     |
| 0033.4014                   | 0033.4214                 |                        |      |         |
| 0033.4019                   |                           | 115                    | 220  | 240     |
| 0033.4028                   |                           | 220V                   | 230V | 240V    |
| 0033.4032                   |                           | 4                      | 8    | 16      |
| 0033.4040                   |                           | 100                    | 110  | 230     |
|                             | 0033.4241                 | 110V                   | 120V | 220V    |
| 0033.4044                   |                           | 115                    | 0    | 230     |
| 0033.4049                   |                           | 230                    | 240  | 250     |
|                             | 0033.4252                 | 220-240                | 127  | 100-115 |
|                             | 0033.4254                 | 230                    | 0    | 200     |
| 0033.4055                   |                           | 115V                   | 230V | 240V    |
| 0033.4056                   |                           | 1                      | 2    | 3       |
|                             | 0033.4259                 | 115                    | 200  | 230     |
| 0033.4057                   |                           | 100                    | 120  | 230-240 |
| 0033.4062                   |                           | 110                    |      | 230     |

**Table 6**  
SWG – Series

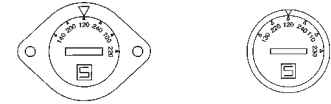
See page 186, 191 for technical data



| Order No.<br>Bestell-Nr. | Legends (Position 1-6) |      |      |      |      |      |
|--------------------------|------------------------|------|------|------|------|------|
|                          | 1                      | 2    | 3    | 4    | 5    | 6    |
| 0033.2500                | 110                    | 125  | 150  | 200  | 220  | 250  |
| 0033.2506                | 208                    | 220  | 240  |      |      |      |
| 0033.2507                | 100                    | 110  | 120  | 200  | 220  | 240  |
| 0033.2510                | 100                    | 115  | 220  | 230  | 240  |      |
| 0033.2511                | 200V                   | 208V | 220V | 230V | 240V | NC   |
| 0033.2512                | 100V                   | 120V | 200V | 220V | 240V |      |
| 0033.2514                |                        |      |      |      |      |      |
| 0033.2517                | 240V                   | 230V | 220V | 208V | 115V | 100V |
| 0033.2520                | 100                    | 115  | 220  | 240  |      |      |

**Table 3**  
SWZ – Series

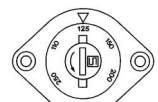
See page 186, 188 for technical data



| Order No.<br>Panel<br>mount | Order No.<br>PCB<br>mount | Legends (Position 1-6) |     |     |         |     |         |
|-----------------------------|---------------------------|------------------------|-----|-----|---------|-----|---------|
|                             |                           | 1                      | 2   | 3   | 4       | 5   | 6       |
| 0033.3501                   | 0033.3801                 | 150                    | 220 | 130 | 260     | 110 | 240     |
| 0033.3502                   |                           |                        | 220 | 120 | 240     | 110 |         |
| 0033.3503                   |                           |                        | 115 | 230 |         |     |         |
|                             | 0033.3803                 | 134                    | 200 | 117 | 234     | 100 | 217     |
| 0033.3504                   | 0033.3802                 | 130                    | 220 | 120 | 240     | 110 | 230     |
|                             | 0033.3804                 | 127                    | 200 | 115 | 240     | 100 | 220     |
| 0033.3505                   | 0033.3805                 | 140                    | 200 | 120 | 240     | 100 | 220     |
| 0033.3510                   |                           | 127                    | 200 | 115 | 240     | 100 | 220     |
|                             | 0033.3812                 | 100                    | 240 | -   | 220     | 120 | -       |
| 0033.3514                   |                           |                        |     |     |         |     |         |
|                             | 0033.3815                 | 120                    | 220 | 100 | 240     |     |         |
| 0033.3518                   |                           |                        | 220 | 130 |         | 110 | 240     |
|                             | 0033.3819                 |                        | 220 |     |         | 110 | 240     |
| 0033.3522                   |                           |                        |     | 110 | 220     |     |         |
| 0033.3527                   |                           | 0                      | 220 | 120 | 0       | 100 | 230     |
| 0033.3530                   |                           | 100                    | 240 |     | 220     | 120 |         |
|                             | 0033.3833                 | 145                    | 210 | 125 | 250     | 105 | 230     |
|                             | 0033.3837                 |                        | 200 | 120 | 240     | 100 | 220     |
| 0033.3539                   |                           | 130                    | 200 | 115 | 230     | 100 | 215     |
|                             | 0033.3839                 | 130                    | 200 | 115 | 230     | 100 | 215     |
|                             | 0033.3843                 |                        |     |     |         |     |         |
|                             | 0033.3845                 |                        |     | 120 | 240     | 100 | 230     |
|                             | 0033.3846                 | 120                    | 220 | 115 | 230     | 110 | 225     |
| 0033.3547                   |                           |                        | 200 | 120 | 240     | 100 |         |
| 0033.3549                   |                           | 100                    | 0   | 117 | 220     | 100 | 240     |
| 0033.3553                   |                           | 140                    | 200 | 120 | 240     | 100 | 230     |
| 0033.3555                   |                           |                        |     | 120 | 240     | 100 | 220     |
| 0033.3558                   |                           | 140                    | 200 | 120 | 230/240 | 100 | 220/230 |
| 0033.3560                   |                           | 127                    | 220 | 115 | 240     | 110 | 230     |

**Table 7**  
SWK – Series

See page 186, 191 for technical data



| Order No.<br>Bestell-Nr. | Legends (Position 1-6) |      |      |      |      |      |
|--------------------------|------------------------|------|------|------|------|------|
|                          | 1                      | 2    | 3    | 4    | 5    | 6    |
| 0033.1500                | 110                    | 125  | 150  | 200  | 220  | 250  |
| 0033.1502                |                        |      |      | 220  | 230  | 240  |
| 0033.1504                | 100                    | 110  | 120  | 200  | 220  | 240  |
| 0033.1510                | 1                      | 2    | 3    | 4    | 5    | 6    |
| 0033.1511                | 100                    | 110  | 120  | 220  | 230  | 240  |
| 0033.1513                | 200                    | 208  | 220  | 230  | 240  |      |
| 0033.1514                |                        |      |      |      |      |      |
| 0033.1515                | 110                    | 130  | 220  | 240  |      |      |
| 0033.1517                | 100                    | 120  | 220  | 240  |      |      |
| 0033.1518                |                        | 100  | 120  | 220  | 240  |      |
| 0033.1520                | 100                    | 115  | 220  | 240  |      |      |
| 0033.1523                | 100V                   | 120V | 200V | 220V | 230V | 240V |
| 0033.1525                | 200                    | 220  | 230  | 240  | 250  |      |

No articles from stock, minimum order quantity 100 pieces