



SPC
TECHNOLOGY

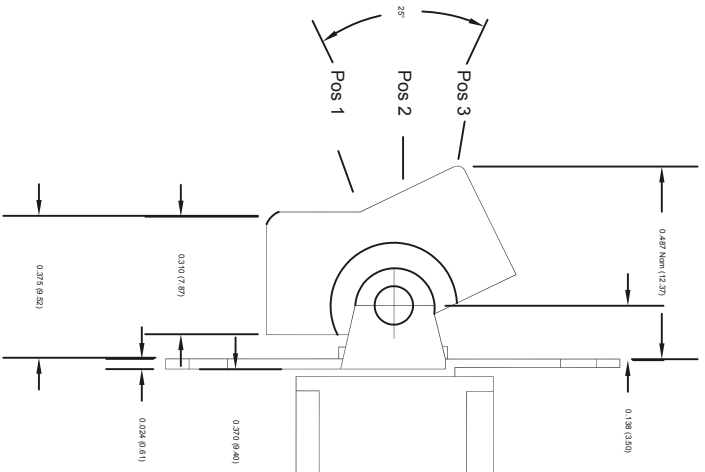
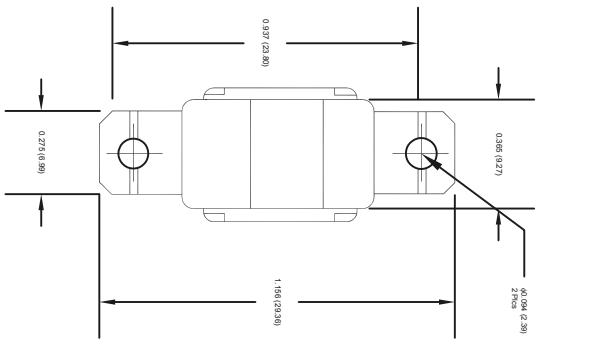
ALL RIGHTS RESERVED. NO PORTION OF THIS PUBLICATION, WHETHER IN WHOLE OR IN PART CAN BE REPRODUCED WITHOUT THE EXPRESS WRITTEN CONSENT OF SPC TECHNOLOGY.

SPC-F005.DWG

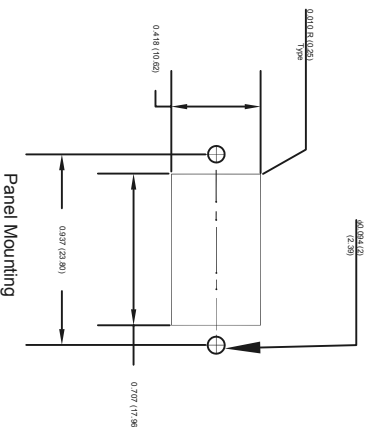
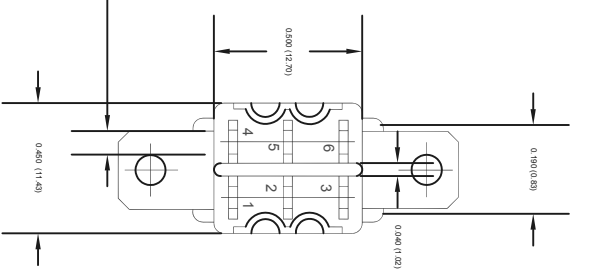
REVISIONS

| DCP # | REV | DESCRIPTION | DRAWN | DATE | CHECKD | DATE | APPRVD | DATE |
|-------|-----|-------------|-------|----------|--------|----------|--------|----------|
| | | | ASH | 02-08-10 | JAG | 14-08-10 | XXX | 16-08-10 |

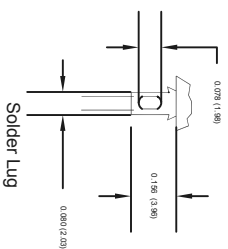
DOC. NO. SPC-F005 * Effective: 7/8/02 * DCP No: 1398



Dimensions : Inches (mm)



| Switching Position | On | | None | | Open | | On | |
|---------------------|------|-----|----------|-----|----------|-----|----------|-----|
| | 2-3 | 5-6 | 2-3 | 5-6 | 2-3 | 5-6 | 2-3 | 5-6 |
| Connected Terminals | 2-3 | 5-6 | 2-3 | 5-6 | 2-3 | 5-6 | 2-3 | 5-6 |
| Schematic | DPDT | | O2 Comm. | | O2 Comm. | | O5 Comm. | |
| | 1 | 3 | 1 | 3 | 1 | 3 | 4 | 6 |



DISCLAIMER:
ALL STATEMENTS AND TECHNICAL INFORMATION CONTAINED HEREIN ARE BASED UPON INFORMATION AND/OR TESTS WE BELIEVE TO BE ACCURATE AND RELIABLE. SINCE CONDITIONS OF USE ARE BEYOND OUR CONTROL, THE USER SHALL DETERMINE THE SUITABILITY OF THE PRODUCT FOR THE INTENDED USE AND ASSUME ALL RISK AND LIABILITY WHATSOEVER IN CONNECTION THEREWITH.

TOLERANCES:

UNLESS OTHERWISE SPECIFIED, DIMENSIONS ARE FOR REFERENCE PURPOSES ONLY.

DRAWN BY: ASH DATE: 02-08-10

CHECKED BY: JAG DATE: 14-08-10

APPROVED BY: XXX DATE: 16-08-10

DRAWING TITLE: Rocker Switch, DPFT

SIZE: XXX

DWG. NO.: XXX

ELECTRONIC FILE: 53H6652

SCALE: NTS

U.O.M.: INCHES [mm]

SHEET: 1 OF 1

REV: A



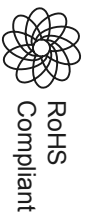
SPC
TECHNOLOGY

ALL RIGHTS RESERVED. NO PORTION OF THIS PUBLICATION,
WHETHER IN WHOLE OR IN PART CAN BE REPRODUCED
WITHOUT THE EXPRESS WRITTEN CONSENT OF SPC
TECHNOLOGY.
SPC-F005.DWG

REVISIONS

| DCP # | REV | DESCRIPTION | DRAWN | DATE | CHECKD | DATE | APPRVD | DATE |
|-------|-----|-------------|-------|----------|--------|----------|--------|----------|
| | | | ASH | 02-08-10 | JAG | 14-08-10 | XXX | 16-08-10 |

DOC. NO. SPC-F005 * Effective: 7/8/02 * DCP No: 1398



RoHS
Compliant

Specifications:

Electrical

Contact rating: 5A at 120 VAC or
28 VDC, 2A at 250 VAC
Contact resistance: 10 milliohms maximum
Insulation resistance: 1,000 megohms minimum at 500
VDC
Dielectric strength: 1,000 VRMS

Mechanical

Life: 50,000 cycles

Environmental

Operating temperature: -30°C to +85°C

Material

Case: DAP, UL 94V-0
Housing: Stainless Steel
Actuator: Nylon, Black
Bushing: Brass, Nickel Plated
Contact/Terminals: copper Alloy, silver Plated

Part Number Table

| Description | Part Number |
|---------------------|-------------|
| Rocker Switch, DPFT | SPC21146 |

TOLERANCES:

UNLESS OTHERWISE
SPECIFIED,
DIMENSIONS ARE
FOR REFERENCE
PURPOSES ONLY.

DRAWN BY:

ASH

DATE:

02-08-10

DRAWING TITLE:

Rocker Switch, DPFT

CHECKED BY:

JAG

DATE:

14-08-10

SIZE DWG. NO.

XXX

XXX

ELECTRONIC FILE

53H6652

REV

A

APPROVED BY:

XXX

DATE:

16-08-10

SCALE: NTS

U.O.M.: INCHES [mm]

SHEET: 1 OF 1

DISCLAIMER:
ALL STATEMENTS AND TECHNICAL INFORMATION CONTAINED
HEREIN ARE BASED UPON INFORMATION AND/OR TESTS WE
BELIEVE TO BE ACCURATE AND RELIABLE. SINCE
CONDITIONS OF USE ARE BEYOND OUR CONTROL, THE
USER SHALL DETERMINE THE SUITABILITY OF THE PRODUCT
FOR THE INTENDED USE AND ASSUME ALL RISK AND
LIABILITY WHATSOEVER IN CONNECTION THEREWITH.