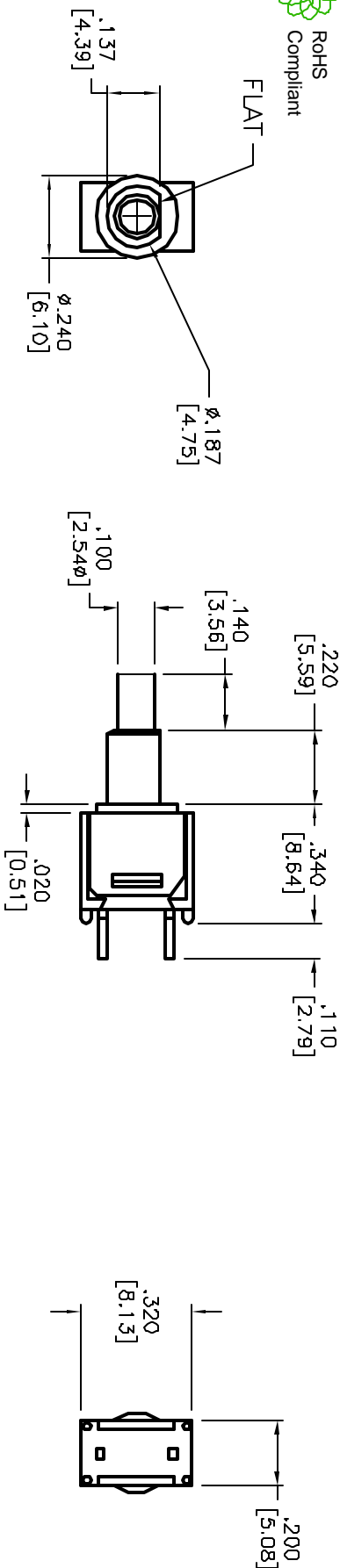
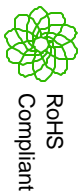


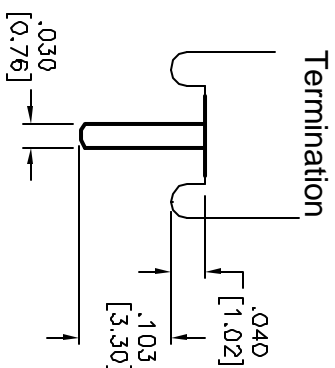
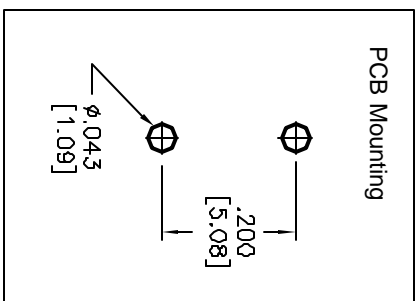
REVISIONS		DWG. NO.	SPC-F005	Effective	7/8/02	DGP	NO.	1398
DGP #	REV	DESCRIPTION	DATE	CHECKD	DATE	APPRVD	DATE	
1937		NOT Released	JWM	7/26/07	JN	03/20/08	JN	03/20/08



Rating: 0.4VA Max @ 20V AC or DC
 Contact Resistance: 20 Milliohms Max
 Electrical Life: 60,000 make-and-break cycles at full load
 Insulation Resistance: 1,000 MW min.
 Dielectric Strength: 1,000 V RMS
 Operating Temperature: -30°C to 85°C
 UL & CSA Listed

Materials:
 Case: Diallyl Phthalate (DAP)
 Contacts: Copper Alloy, gold Plated

Switching Position	
TS21	ON
Connected Term	Open
Schematic	SPST \uparrow \downarrow



DISCLAIMER:
 ALL STATEMENTS AND TECHNICAL INFORMATION CONTAINED HEREIN ARE BASED UPON INFORMATION AND/OR TESTS WE BELIEVE TO BE ACCURATE AND RELIABLE. SINCE CONDITIONS OF USE ARE BEYOND OUR CONTROL, THE USER SHALL DETERMINE THE SUITABILITY OF THE PRODUCT FOR THE INTENDED USE AND ASSUME ALL RISK AND LIABILITY WHATSOEVER IN CONNECTION THEREWITH.

TOLERANCES:
 UNLESS OTHERWISE SPECIFIED, DIMENSIONS ARE FOR REFERENCE PURPOSES ONLY.

DRAWN BY:	DATE:
Jeff McVicker	7/26/07
CHECKED BY:	DATE:
Jason Nash	03/20/08
APPROVED BY:	DATE:
Jason Nash	03/20/08

DRAWING TITLE:		DRAWING NO.		ELECTRONIC FILE	
SUB-MINIATURE PUSHBUTTON SWITCH (SPST)		A		11M0393.dwg	
SCALE:	NTS	U.O.M.:	INCHES [mm]	SHEET:	1 OF 1