

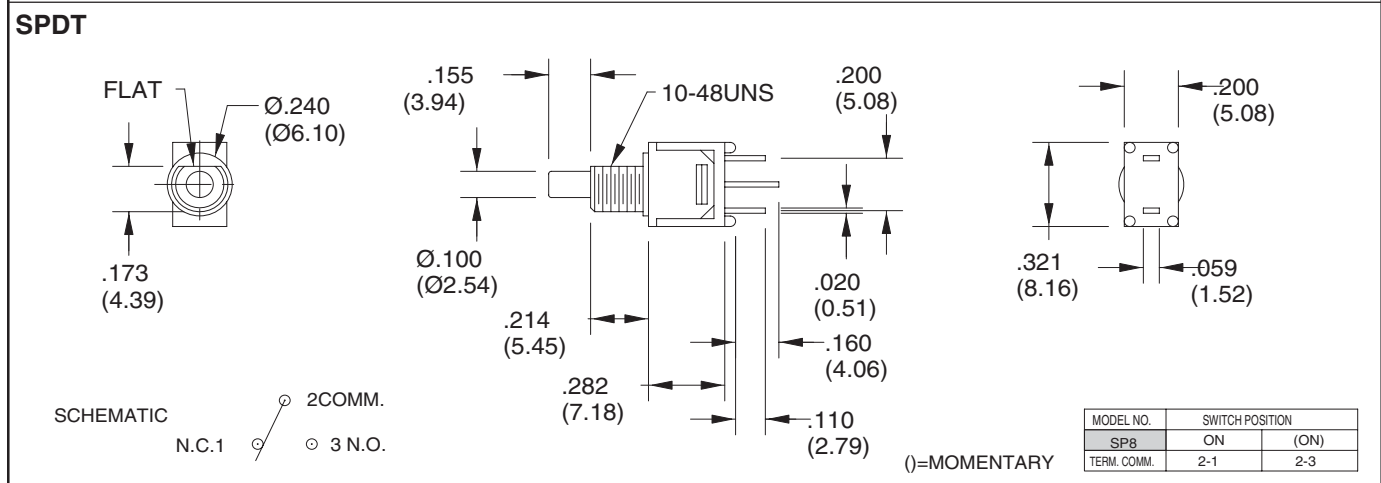
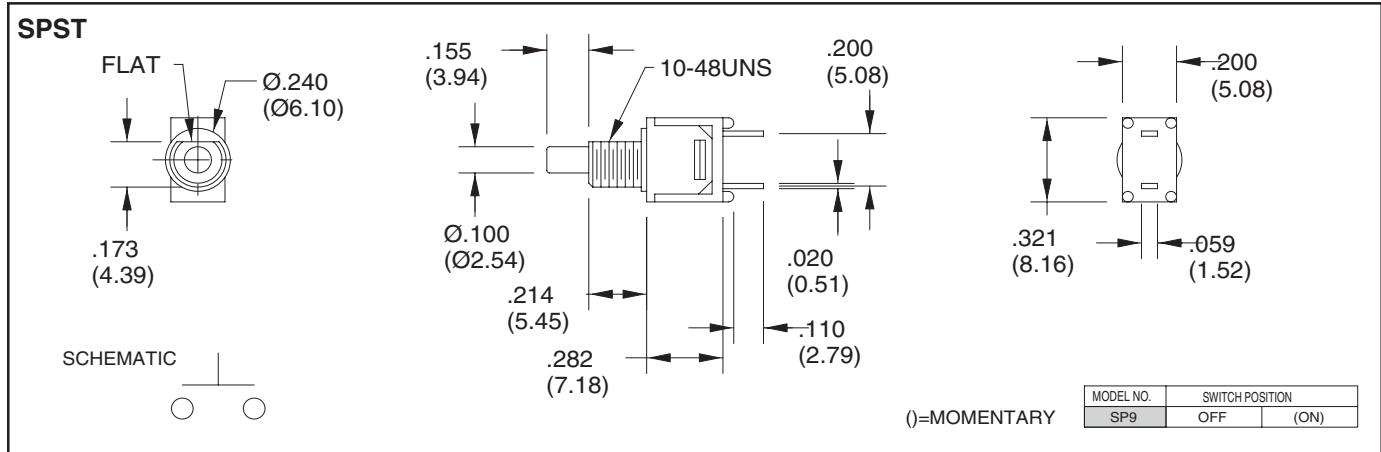
SERIES 38F
Sub-Miniature
Pushbutton Switches

FEATURES

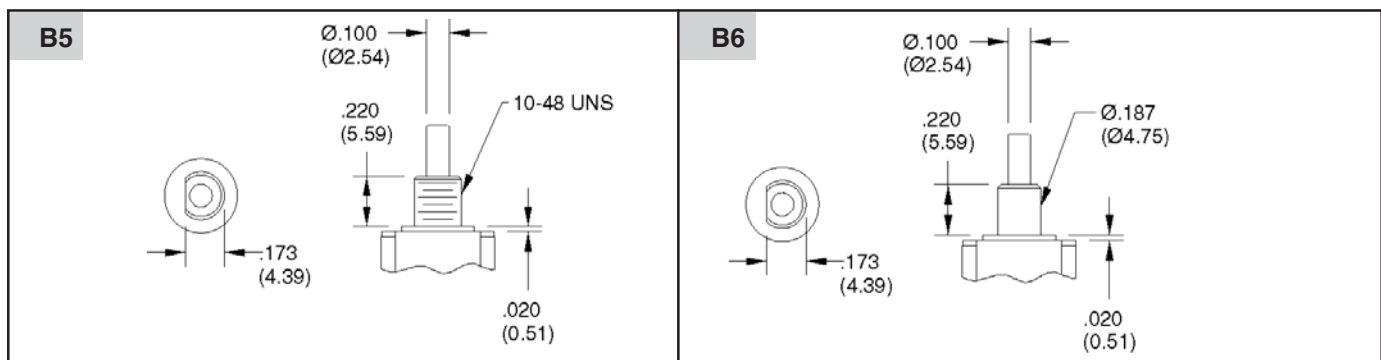
- Save Space and Weight
- SPDT and DPDT Circuitry
- Choice of Actuators, Bushings, and Terminations
- UL Recognized



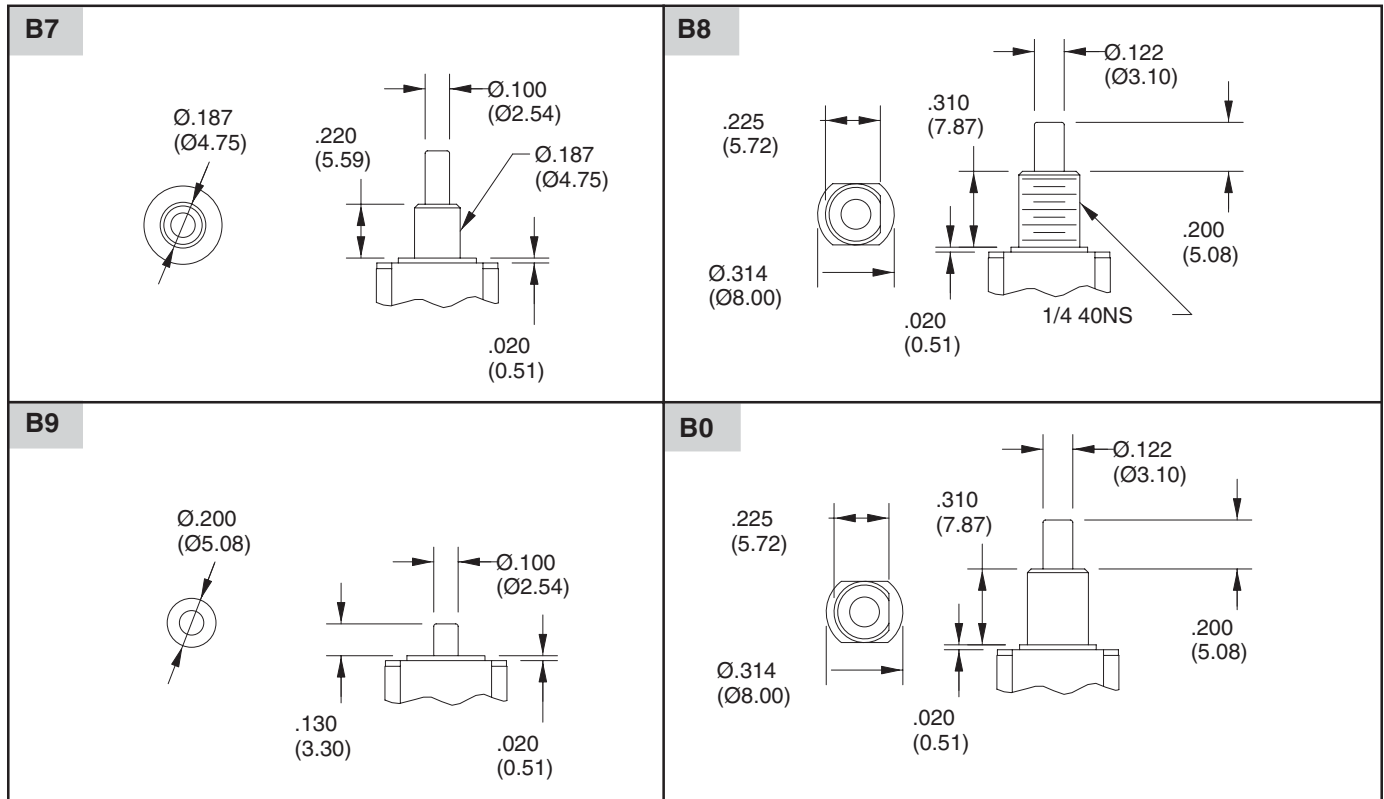
MODELS IN INCHES (AND MILLIMETERS)



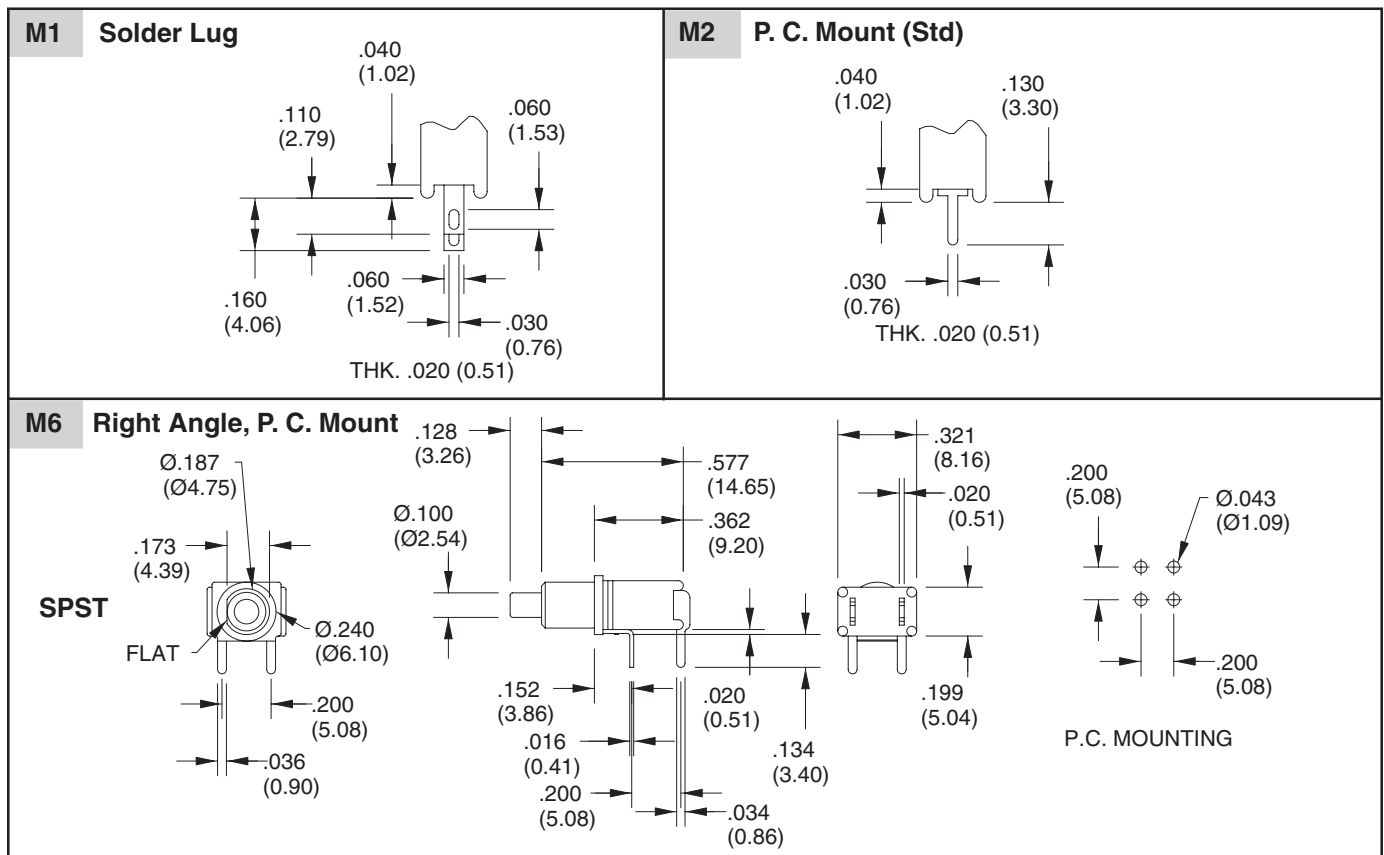
BUSHING OPTIONS IN INCHES (AND MILLIMETERS)



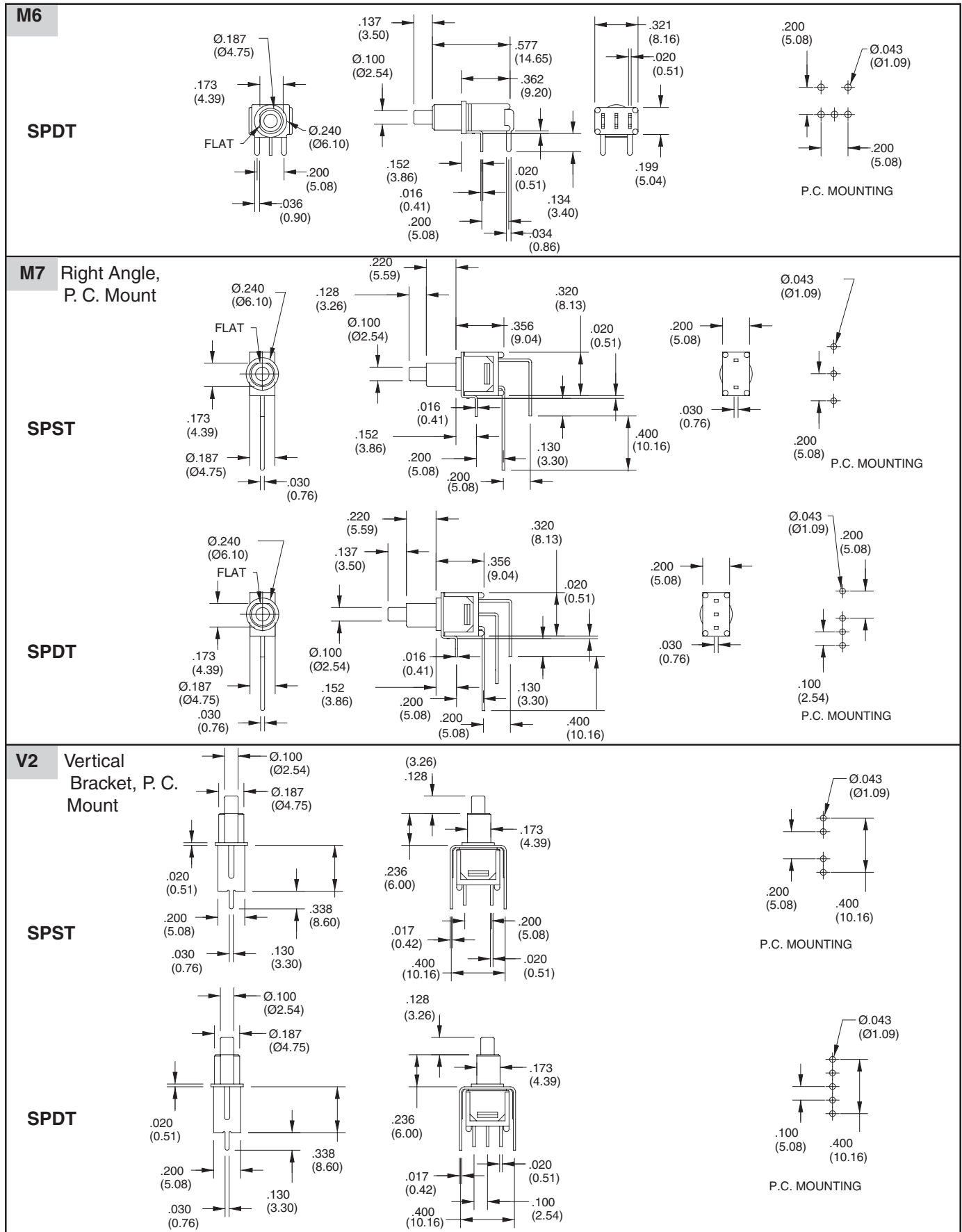
BUSHING OPTIONS (CONT.) IN INCHES (AND MILLIMETERS)



TERMINATION OPTIONS IN INCHES (AND MILLIMETERS)



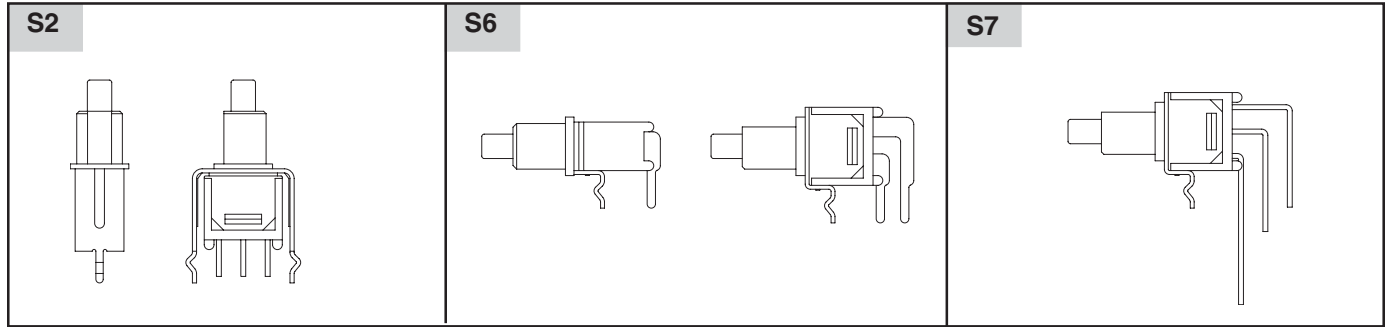
TERMINATION OPTIONS (CONT.) IN INCHES (AND MILLIMETERS)



Pushbutton Switches

Snap-in Termination Options

(Snap-in termination options have the same PC layout as M2, M6 and M7 options)



SPECIFICATIONS

RATINGS

Contact Rating: Q & G option - 1A with resistive load @ 125 VAC or 28 VDC; R option - 0.4 VA max @ 20 Vmax (AC or DC)

Electrical Life: 30,000 make-and-break cycles at full load

Travel: .030 ± .010

Contact Resistance: 20 milliohms max. initial @ 2-4 VDC, 100 mA

Insulation Resistance: 1,000 megaohms minimum

Dielectric Strength: 1,000 V RMS @ sea level

Operating Temperature: -30°C to 85°C

MATERIALS

Case: Diallyl phthalate (DAP) (UL94V-0)

Plunger: Polyester

Bushing: Brass, nickel plated

Housing: Stainless steel

Terminal/Switch Support: Brass, electrotin plated

Terminal Seal: Epoxy

ORDERING INFORMATION

SERIES	MODEL NO.	BUSHING	TERMINATION	CONTACT	SEAL
38F	SP8	B5	M1	Q	T
38F = Sub-Miniature Pushbutton Switches	Options: SP8, SP9 (see models for switching positions)	Options: B5, B6, B7, B8, B9, B0 (see bushing options)	Options: M1, M2, M6, M7, V2, S2, S6, S7 (see termination options)	R = Copper alloy, gold plate over nickel plate. Q = Copper alloy, silver plated G=Gold plate over silver plate	T = Lead Free and RoHS Compliant

Example Part Number: 38FSP8B5M1QE

Available from your local Grayhill Component Distributor. For prices and discounts, contact a local Sales Office, an authorized local Distributor or Grayhill.