

F D F 0 9 0 3

S E R I E S



80~90 Watts Single Output DeskTop Type

FEATURES

- Universal Input 100~240VAC
- PF > 0.95 @230VAC, full load
- Meet CEC regulation, efficiency level V
- Meets FCC/CISPR/VCCI class B EMI
- High efficiency Compact Size
- OVP, OPP, Auto Recovery



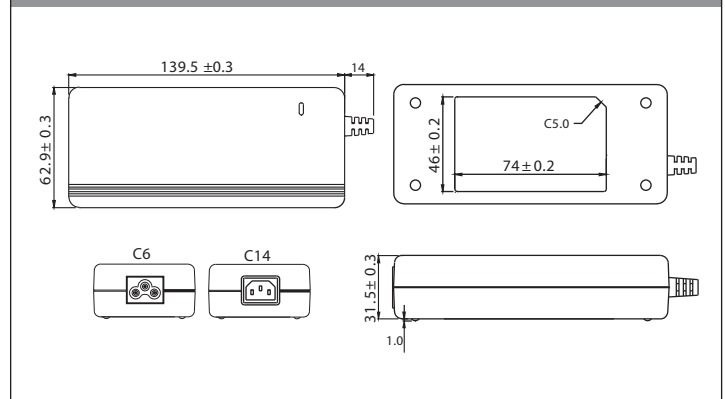
SPECIFICATIONS

Input Voltage.....100VAC~240VAC
 Inrush Current..... 30A at 100VAC / 60A at 240VAC
 Input Frequency..... 47~63Hz
 Dielectric Withstand.....I/P - O/P: 4242VDC; I/P - FG: 2121VDC
 Efficiency..... 80% min.
 Hold Up Time.....10mS at Nominal Line
 Line Regulation..... 1% all outputs
 Load Regulation..... 5% ±
 Ripple & Noise.....2% max all outputs
 Operating Temperature..... -10 °C +50 °C
 (derated linearly from 100% load @ 40 °C to 75% load @ 50 °C)
 Storage Temperature.....-20 to +85 °C
 Protections..... OCP , OVP , Over Power & Short Circuit
 Safty..... IEC/UL/EN60950-1, CE, CB
 EMI.....Meet FCC/CISPR22 class B
 Dimensions.....L139.5 x W62.9 x H31.5mm

All Specifications are Typical at Nominal Line, full Load and 25 °C. Unless Otherwise Noted.

Model Number	AC Inlet	Output Voltage (VDC)	Output Current (A)	Max. Watts	CEC
FDF0903-C	C6 / C14	12	6.6	80W	V
FDF0903-A	C6 / C14	19	4.75	90W	V
FDF0903-A	C6 / C14	20	4.5	90W	V
FDF0903-D	C6 / C14	24	3.75	90W	V

MECHANICAL DRAWING (Unit: mm)



F D F 1 5 0 3

S E R I E S



150 Watts Single Output DeskTop Type With PFC

FEATURES

- Universal Input 90~264VAC
- Low profile and low cost
- Meets FCC / CISPR / VCCI class B EMI
- IEC320 inlet class I C14 (3P)
- OVP, OCP, Auto Recovery
- High efficiency



SPECIFICATIONS

Input Voltage.....90~264VAC
 Inrush Current.....70A max. at 100VAC / 140A max. at 240VAC
 Input Frequency.....47~63Hz
 Dielectric Withstand.....I/P - O/P: 4242VDC; I/P - FG: 2121VDC
 Efficiency..... 80% min.
 Hold Up Time.....10mS at full load
 Load Regulation..... 5% ±
 Line Regulation..... 1% ±
 Ripple & Noise.....480mVp-p
 Protection.....OCP, OVP, Short circuit protection
 Operating Temperature.....0 to +40 °C
 Leakage Current.....0.75mA Max.
 Storage Temperature.....-20 to +85 °C
 Humidity.....10%~90%RH
 Safty..... IEC/UL/EN60950-1, CE(LVD+EMC), CB
 EMI.....FCC Part15, Class B & CISPR Class B
 Dimensions / weight.....L170 x W84 x H42mm / 900 g
 Standard Output Cable/Length..... UL1185

Model Number	AC Inlet	Output Voltage (VDC)	Output Current (A)	Max. Watts
FDF1503-A	C14/C6	22~24	6.81 ~ 6.25	150W
FDF1503-B	C14/C6	19~21	7.89 ~ 7.14	150W
FDF1503-C	C14/C6	16~18	9.37 ~ 8.33	150W
FDF1503-D	C14/C6	14~15	10.7 ~ 10.0	150W
FDF1503-E	C14/C6	12~13	12.5 ~ 11.53	150W

MECHANICAL DRAWING (Unit: mm)

