



SIZE :

80x80x38mm (3.15"x3.15"x1.50")

CONSTRUCTION :

- All metal
- Die-cast aluminum housing
- Metal impeller
- Shaded pole motor
- Impedance protected
- Leader wire available

OPERATING TEMPERATURE :

Ball bearing - 30°C to +75°C

Sleeve bearing - 10°C to +70°C

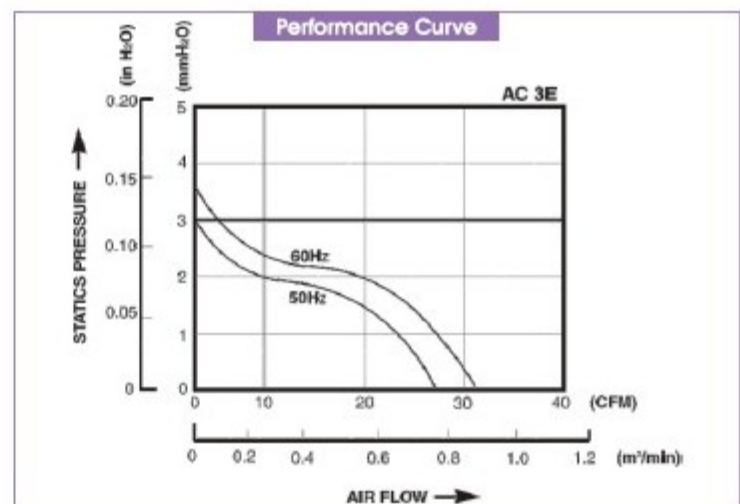
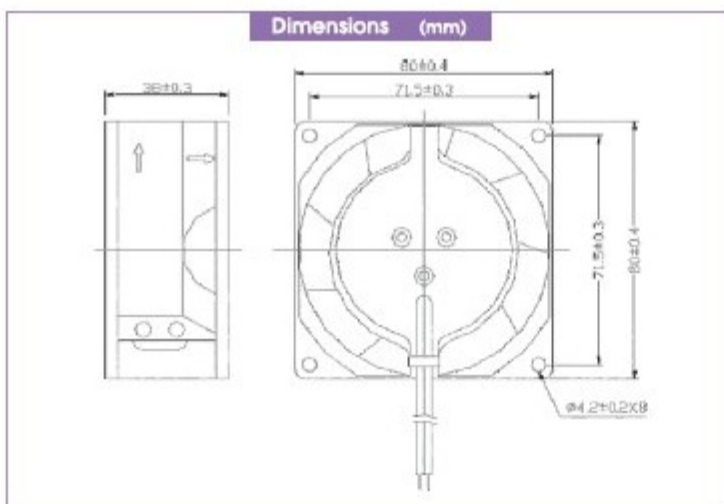
WEIGHT :

420 grams

Specifications

Specifications are subject to change without notice

MODEL NO.	BEARING	RATED VOLTAGE	FREQUENCY	MAX. RATED CURRENT	MAX. INPUT POWER	SPEED	MAX. AIR FLOW		MAX. AIR PRESSURE		NOISE
		VAC	Hz	mA	W	R.P.M.	m ³ /min	CFM	mmH ₂ O	IN H ₂ O	
3E-115B-20	Ball	115	50/60	120/110	10/9	1750/2000	0.5/0.6	18/21	2.0/2.4	0.1/0.1	23/26
3E-115S-20	Sleeve										
3E-230B-20	Ball	230	50/60	75/70	12/11	1750/2000	0.5/0.6	18/21	2.0/2.4	0.1/0.1	23/26
3E-230S-20	Sleeve										
3E-115B-25	Ball	115	50/60	130/120	10/9	2150/2500	0.6/0.7	22/26	3.0/3.4	0.1/0.1	27/31
3E-115S-25	Sleeve										
3E-230B-25	Ball	230	50/60	85/75	13/12	2150/2500	0.6/0.7	22/26	3.0/3.4	0.1/0.1	27/31
3E-230S-25	Sleeve										
3E-115B-28	Ball	115	50/60	130/120	11/10	2400/2800	0.7/0.8	25/29	3.8/4.6	0.2/0.2	30/37
3E-115S-28	Sleeve										
3E-115HB	Ball	115	50/60	140/130	11/10	2700/3100	0.7/0.8	23.4/27.7	3.7/5.0	0.1/0.2	31/34
3E-115HS	Sleeve										
3E-200HB	Ball	200	50/60	95/85	13/12	2700/3100	0.7/0.9	23.4/27.7	3.7/4.9	0.1/0.2	31/34
3E-230HB	Ball	230/230	50/60	85/75	13/12	2700/3100	0.7/0.8	23.4/27.7	3.7/4.9	0.1/0.2	31/34
3E-230HS	Sleeve										
3E-240HB	Ball	240	50/60	85/75	13/12	2700/3100	0.7/0.8	23.4/27.7	3.7/4.9	0.1/0.2	31/34
3E-DVB	Ball	115/230	50/60	150/80	13/13	3100/2700	0.8/0.7	27.7/23.4	4.9/3.7	0.2/0.1	34/31
3E-DVS	Sleeve										



Mouser Electronics

Authorized Distributor

Click to View Pricing, Inventory, Delivery & Lifecycle Information:

[Bi-Sonic:](#)

[3E-115B W-G/ROHS](#) [3E-115B-20 W-G/ROHS](#) [3E-115B-25 W-G/ROHS](#) [3E-115S W-G/ROHS](#) [3E-230B W-G/ROHS](#)