



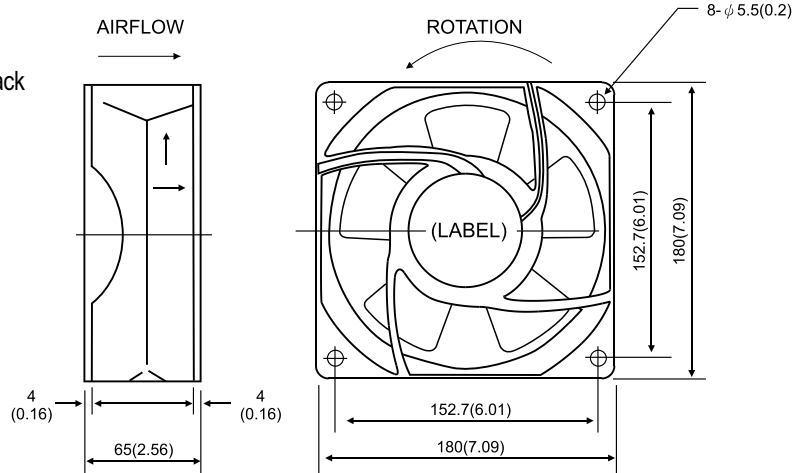
# A18065 Series

Size: 180x180x65mm(7.09"x7.09"x2.56")

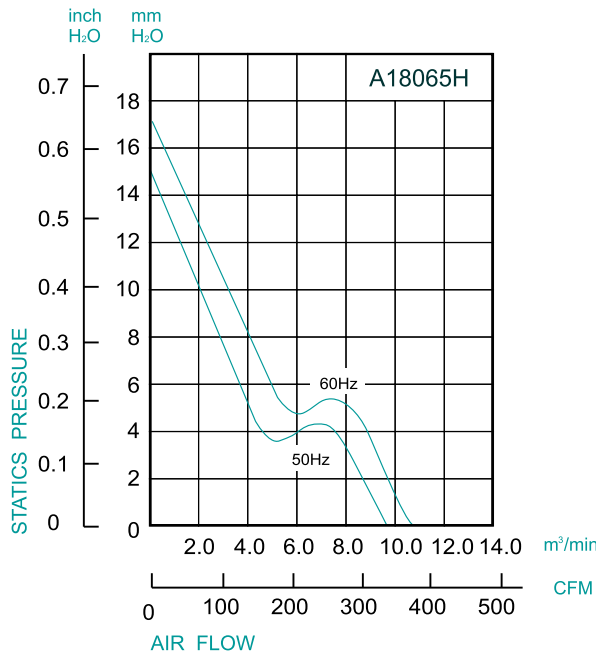
### DIMENSION

Unit:mm(inch)

HOUSING : Die - Cast Aluminum, Painted Black  
 IMPELLER : Injection Molded of Flame Retardant Polycarbonate, Black  
 BEARING : Ball  
 TERMINATION : Terminals or Lead wire  
 MOTOR TYPE : AC Induction Capacitor Motor  
 DIELECTRIC STRENGTH : 1,500 VAC for 1 minute  
 INSULATION : Class B  
 INSULATION RESISTANCE : 100,000 Ohms min. @500 VDC  
 OPERATING TEMPERATURE : -20°C to + 80°C  
 SAFETY : Thermally Protected (Auto Restart)  
 WEIGHT : 1.6kg (3.54 lb)



### AIR PERFORMANCE



### SPECIFICATION

MODEL NO.	RATED VOLTAGE (V)	FREQUENCY (Hz)	RATED CURRENT (A)	INPUT POWER (W)	SPEED (RPM)	AIR FLOW		NOISE dB(A) @ 1M
						CFM	m <sup>3</sup> /min	
A18065V1H	115	50 / 60	0.45 / 0.55	45 / 55	2700 / 3000	335 / 370	9.50 / 10.50	57 / 59
A18065V2H	230	50 / 60	0.25 / 0.30	50 / 65	2700 / 3000	335 / 370	9.50 / 10.50	57 / 59