

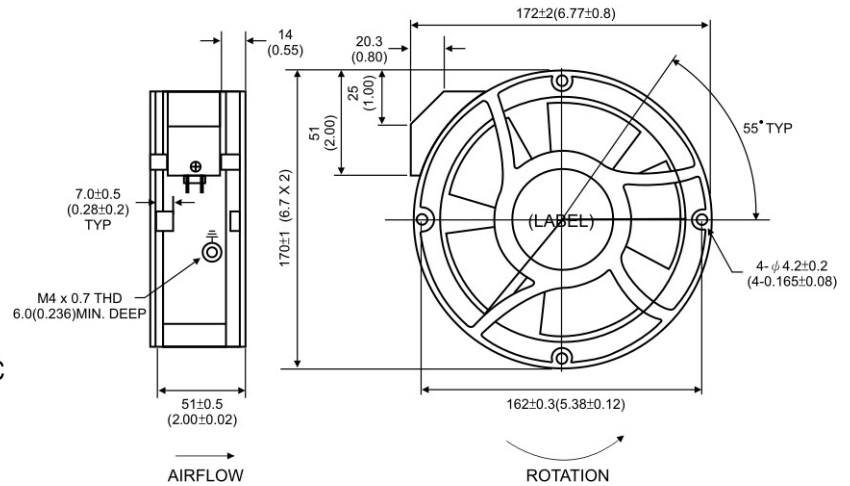


# A17051 Series

Size:  $\phi$  170x51mm ( $\phi$  6.7"x2")

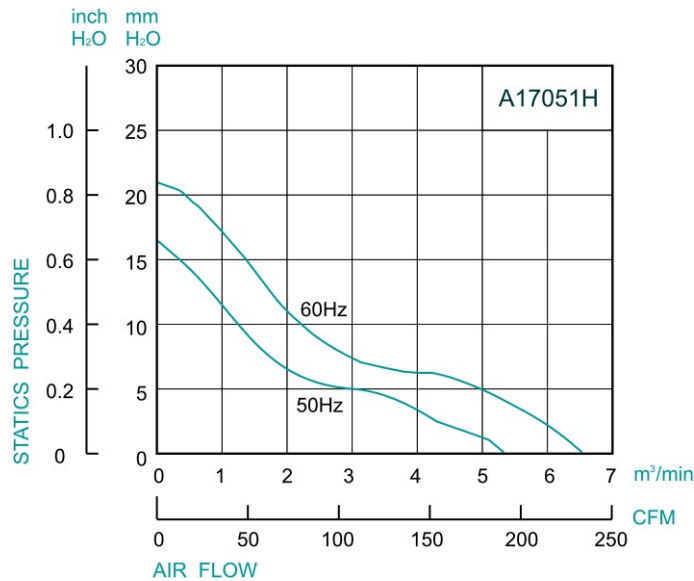
### DIMENSION

Unit:mm(inch)



HOUSING : Die - Cast Aluminum, Painted Black  
 IMPELLER : Thermoplastic PBT, UL94V - 0  
 BEARING : Ball  
 TERMINATION : Terminals  
 MOTOR TYPE : AC Induction Capacitor Motor  
 START VOLTAGE : 30 VAC for 115 VAC Type  
 60 VAC for 230 VAC Type  
 DIELECTRIC STRENGTH : 1,500 VAC for 1 minute  
 INSULATION : Class B  
 INSULATION RESISTANCE : 100,000 Ohms min. @500 VDC  
 OPERATING TEMPERATURE : -20°C to + 80°C  
 SAFETY : Thermally Protected (Auto Restart)  
 WEIGHT : 875g (31 oz.)

### AIR PERFORMANCE



### SPECIFICATION

MODEL NO.	RATED VOLTAGE (V)	FREQUENCY (Hz)	RATED CURRENT (A)	INPUT POWER (W)	SPEED (RPM)	AIR FLOW		NOISE dB(A) @ 1M
						CFM	m <sup>3</sup> /min	
A17051V1H	115	50 / 60	0.22 / 0.28	26 / 32	2800 / 3350	190 / 235	5.40 / 6.70	55 / 59
A17051V2H	230	50 / 60	0.11 / 0.15	26 / 32	2850 / 3350	190 / 235	5.40 / 6.70	55 / 59