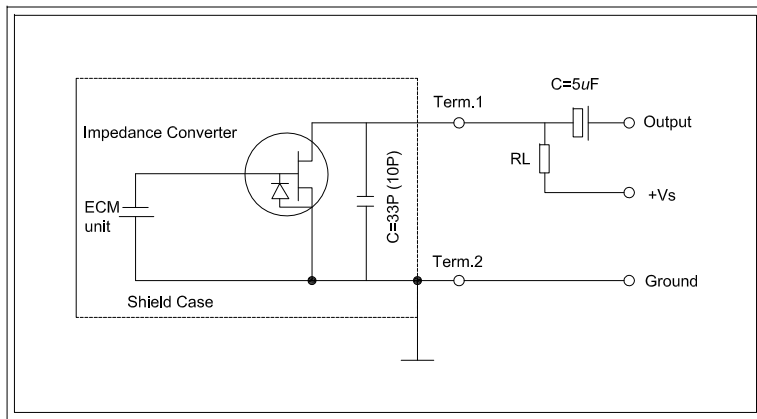
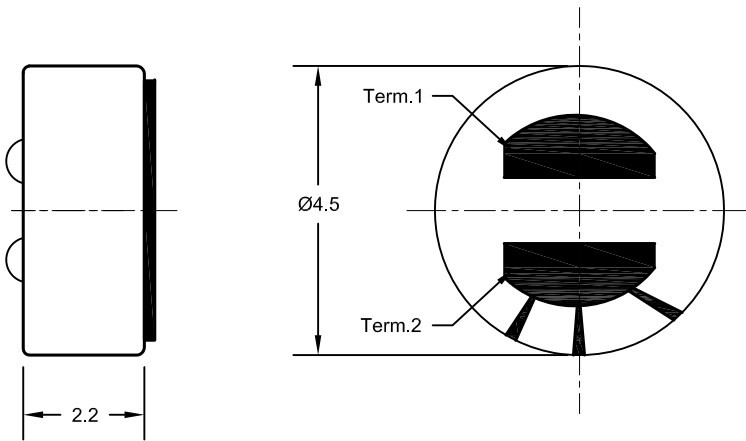


REVISIONS

DCP #	REV	DESCRIPTION	DRAWN	DATE	CHECKD	DATE	APPRVD	DATE
2070	A	Released	JN	09-03-09	JWM	09-03-09	JWM	09-03-09



**Specification**

1. Rated Voltage: 2.0V
2. Operating Voltage: 2.0V ~ 10V
3. Sensitivity: -40±2dB at 1KHz
4. Current Consumption: 0.5mA Max.
5. Frequency: 100~16,000Hz
6. S/N Ratio: ≥ 60dB
7. Sensitivity Reduction: within - 3dB at 1.5V
8. Directivity: Omnidirectional
9. Testing Condition: 2.0V, 2.2KΩ
10. Shell Material/Color: AL/Silver
11. Operating Temperature: -25~+55°C
12. Store Temperature: -25~+55°C
13. Weight: 0.1g
14. Type: Omnindirectional back Electret

DISCLAIMER:  
ALL STATEMENTS AND TECHNICAL INFORMATION CONTAINED HEREIN ARE BASED UPON INFORMATION AND/OR TESTS WE BELIEVE TO BE ACCURATE AND RELIABLE. SINCE CONDITIONS OF USE ARE BEYOND OUR CONTROL, THE USER SHALL DETERMINE THE SUITABILITY OF THE PRODUCT FOR THE INTENDED USE AND ASSUME ALL RISK AND LIABILITY WHATSOEVER IN CONNECTION THEREWITH.

**TOLERANCES:**  
**UNLESS OTHERWISE SPECIFIED, DIMENSIONS ARE FOR REFERENCE PURPOSES ONLY.**

<b>DRAWN BY:</b>	<b>DATE:</b>
Jason Nash	09-03-09
<b>CHECKED BY:</b>	<b>DATE:</b>
Jason Nash	09-03-09
<b>APPROVED BY:</b>	<b>DATE:</b>
Jason Nash	09-03-09

<b>DRAWING TITLE:</b>			
Speaker and mic			
<b>SIZE</b>	<b>DWG. NO.</b>	<b>ELECTRONIC FILE</b>	<b>REV</b>
A	MCKPCM-B45H22-40DB-4812	25R0598.dwg	A
<b>SCALE:</b> NTS		<b>U.O.M.:</b> INCHES [mm]	<b>SHEET:</b> 1 OF 1