

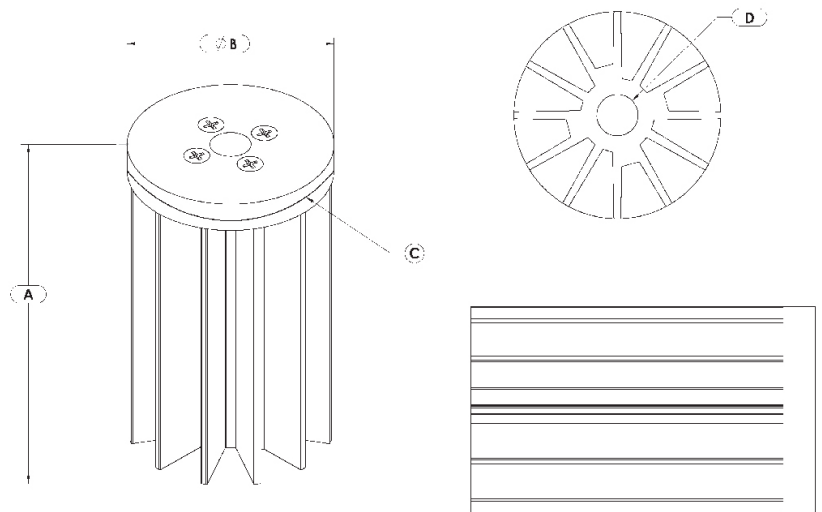
Star LED Heat Sink



ATS PART # ATSEU-077D-C3-R0

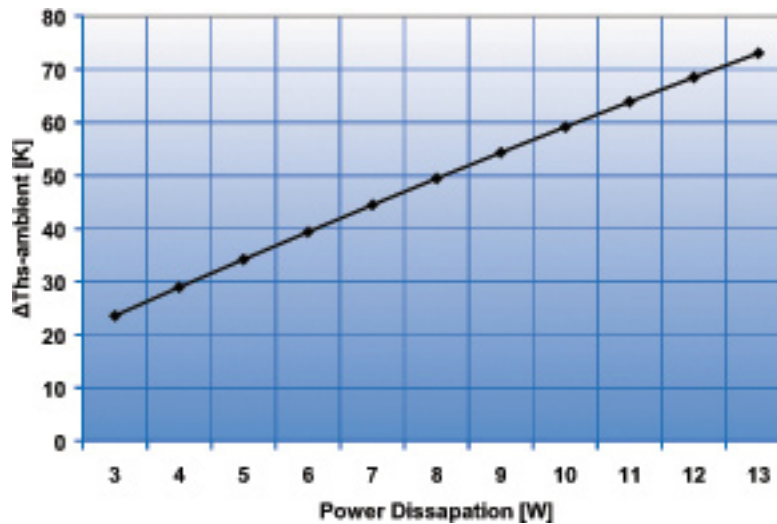
Features & Benefits

- » Designed for high-performance convection cooling of high heat flux LEDs
- » Base includes inner threads for attachment of brackets and other hardware
- » Each Star series heat sink is made from lightweight, anodized aluminum for maximum thermal performance



FOR ILLUSTRATION PURPOSES ONLY

Thermal Performance



Product Details

LENGTH (A)	DIAMETER (B)	OUTER THREAD (C)	INNER THREAD (D)	WEIGHT	FINISH
45 mm	45 mm	NONE	M10X1	74 G	BLACK/SILVER

NOTES:

- 1) Thermal Performance data are provided for reference only- Actual performance may vary by application
- 2) ATS reserves the right to update or change its products without notice
- 3) Contact ATS to learn about custom options available



ATS ADVANCED THERMAL SOLUTIONS, INC.
Innovations in Thermal Management®

For more information, to find a distributor or to place an order, visit www.Qats.com or call: 781.769.2800 (North America); +31 (0) 3569 84715 (Europe).

Mouser Electronics

Authorized Distributor

Click to View Pricing, Inventory, Delivery & Lifecycle Information:

[Advanced Thermal Solutions:](#)

[ATSEU-077D-C3-R0](#)