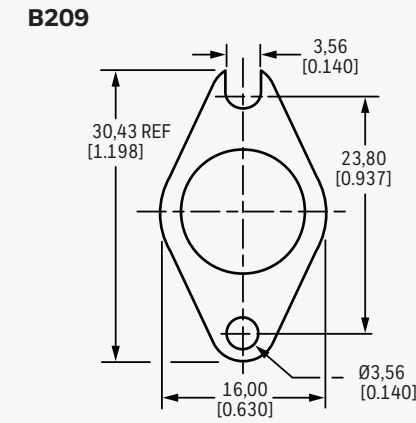
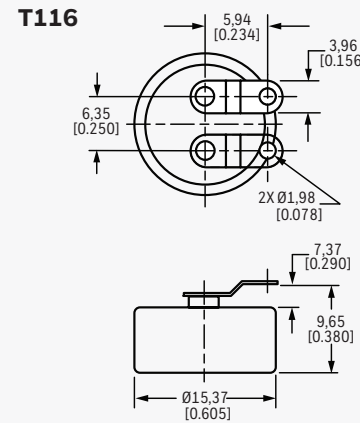


# REDI-TEMP UNIVERSAL THERMOSTATS

## 3100U SPST HERMETIC SERIES



OPEN ON RISE									CLOSE ON RISE								
TEMPERATURE °F				TEMPERATURE °C				PART NUMBER	TEMPERATURE °F				TEMPERATURE °C				PART NUMBER
OPEN	TOL ±	CLOSE	TOL ±	OPEN	TOL ±	CLOSE	TOL ±		CLOSE	TOL ±	OPEN	TOL ±	CLOSE	TOL ±	OPEN	TOL ±	
40	5	20	5	4	3	-7	3	3100U 00031431	40	5	20	5	4	3	-7	3	3100U 00031453
50	5	30	5	10	3	-1	3	3100U 00031432	50	5	30	5	10	3	-1	3	3100U 00031454
60	5	40	5	16	3	4	3	3100U 00031433	60	5	40	5	16	3	4	3	3100U 00031455
70	5	50	5	21	3	10	3	3100U 00031434	80	5	60	5	27	3	16	3	3100U 00031456
80	5	60	5	27	3	16	3	3100U 00031435	100	5	80	5	38	3	27	3	3100U 00031457
90	5	70	5	32	3	21	3	3100U 00031436	120	5	100	5	49	3	38	3	3100U 00031458
100	5	80	5	38	3	27	3	3100U 00031437	140	5	120	5	60	3	49	3	3100U 00031459
110	5	90	5	43	3	32	3	3100U 00031438	160	5	140	5	71	3	60	3	3100U 00031460
120	5	100	5	49	3	38	3	3100U 00031439	180	5	160	5	82	3	71	3	3100U 00031461
130	5	110	5	54	3	43	3	3100U 00031440	200	5	180	5	93	3	82	3	3100U 00031462
140	5	120	5	60	3	49	3	3100U 00031441	220	6	195	8	104	4	91	5	3100U 00031463
150	5	130	5	66	3	54	3	3100U 00031442									
160	5	140	5	71	3	60	3	3100U 00031443									
170	5	150	5	77	3	66	3	3100U 00031444									
180	5	160	5	82	3	71	3	3100U 00031445									
190	5	170	5	88	3	77	3	3100U 00031446									
200	5	180	5	93	3	82	3	3100U 00031447									
210	8	185	6	99	5	85	4	3100U 00031448									
220	8	195	6	104	5	91	4	3100U 00031449									
230	8	205	6	110	5	96	4	3100U 00031450									
240	8	215	6	116	5	102	4	3100U 00031451									
250	8	225	6	121	5	107	4	3100U 00031452									



### APPLICATIONS

- Computers
- Medical electronics
- Power supplies
- Industrial controls
- Test equipment

### BENEFITS

- Environmental exposure: -62°C to 288°C [-80°F to 550°F]
- UL listings
- Single contact (SPST)
- Pre-set and tamper-proof
- 100% thermally and mechanically inspected
- Laser-welded hermetic seal

RATINGS - RESISTIVE (NON UL)			
Life Cycles	30 Vac/Vdc	120 Vac	240 Vac
5000	7.0 A	6.0 A	3.0 A
10,000	6.5 A	5.0 A	2.5 A
25,000	6.0 A	4.0 A	2.0 A
50,000	5.5 A	3.0 A	1.5 A
100,000	5.0 A	2.0 A	1.0 A

UL RATINGS	
Life Cycles	120 Vac
6000	6.0 A
6000	1/10 HP
100,000	3.0 A

### Honeywell Advanced Sensing Technologies

830 East Arapaho Road  
Richardson, TX 75081  
800-582-4263  
sps.honeywell.com/ast

009100-1-EN | 1 | 08/21  
© 2021 Honeywell International Inc. All rights reserved.

### Find out more

Honeywell Advanced Sensing Technologies services its customers through a worldwide network of sales offices and distributors. For application assistance, current specifications, pricing, or the nearest Authorized Distributor, visit [sps.honeywell.com/ast](https://sps.honeywell.com/ast) or call: International +815 618 3231; USA/Canada +302 613 4491

