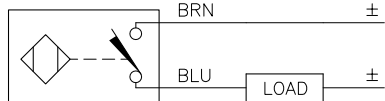


WIRING DIAGRAM

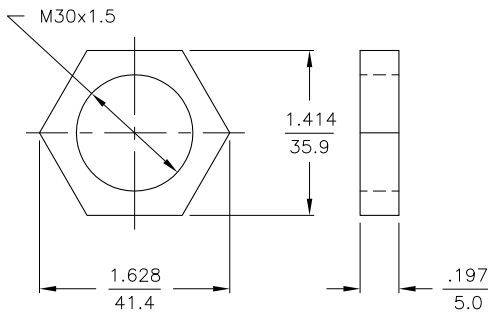
LOCKNUT LN-M30

SPECIFICATIONS

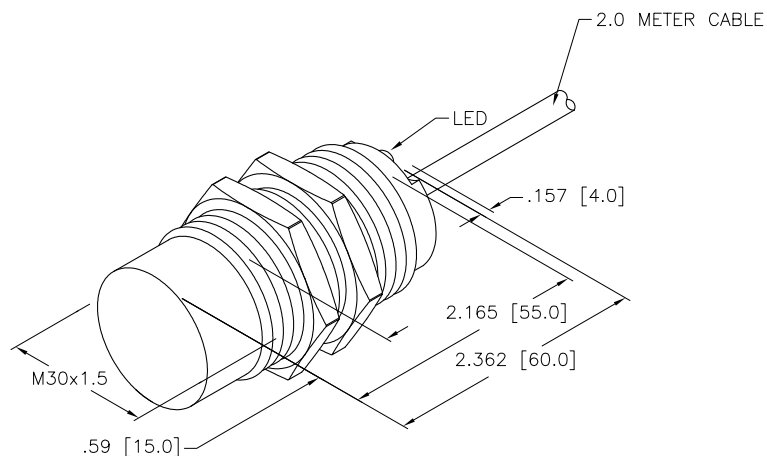


OUTPUT: AD4X

SHORT-CIRCUIT AND OVERLOAD PROTECTED



OPERATING VOLTAGE	10-65 VDC
RIPPLE	≤ 10%
HYSTERESIS	3-15%
VOLTAGE DROP ACROSS CONDUCTING SENSOR	≤ 5.0 V at 100 mA
OUTPUT FUNCTION	NORMALLY OPEN 2-WIRE DC SELF-CONTAINED
TTL COMPATIBLE	NO
SHORT-CIRCUIT PROTECTED	YES
TRIGGER CURRENT FOR OVERLOAD PROTECTION	≥ 120 mA
MAXIMUM LOAD CURRENT	≤ 100 mA
MINIMUM LOAD CURRENT	≥ 3.0 mA
RESIDUAL CURRENT	≤ 0.8 mA
POWER-ON EFFECT PROTECTION	INCORPORATED
TIME DELAY BEFORE AVAILABILITY	≤ 10 ms
PROTECTION AGAINST TRANSIENTS	PER EN 60947-5-2
OPERATING TEMPERATURE	-25°C to +70°C (-13°F to +158°F)
ENCLOSURE	MEETS NEMA 1, 3, 4, 6, 13 AND IEC IP67
SHOCK	30 g, 11 ms
VIBRATION	55 Hz, 1 mm AMPLITUDE (IN ALL 3 PLANES)
LED FUNCTION	YELLOW: OUTPUT ENERGIZED
RATED OPERATING DISTANCE	20 mm = .787"
SWITCHING FREQUENCY	200 Hz
REPEATABILITY	≤ 2% of RATED OPERATING DISTANCE
EMBEDDABLE (SHIELDED)	NO



NOTE:

1. THIS SENSOR MAY BE USED AS A SINKING OR SOURCING DEVICE.

RELATED DOCUMENTS		3RD ANGLE PROJECTION		THIS DRAWING IS PROPERTY OF TURCK INC. USE OF THIS DOCUMENT WITHOUT WRITTEN PERMISSION IS PROHIBITED.		 High Technology Sensors and Automation Controls		3000 CAMPUS DRIVE MINNEAPOLIS, MN 55441 1-800-544-7769 (763) 553-7300 (763) 553-0708 fax turck.com	
1.			ALL DIMENSIONS DISPLAYED ON THIS DRAWING ARE FOR REFERENCE ONLY	DRFT	CBM	DATE	01/26/00	DESCRIPTION Ni20-M30-AD4X	
2.				DSGN		SCALE	1=1.5		
3.		MATERIAL BRASS BARREL		UNIT OF MEASUREMENT <b>INCH [ MILLIMETER ]</b>		IDENTIFICATION NO. T4466135		REV B	
4.		FINISH COPPER/NICKEL CHROME PLATING		CONTACT TURCK FOR MORE INFORMATION		DO NOT SCALE THIS DRAWING		FILE: T4466135 SHEET 1 OF 1	

B	UPDATE BARREL LENGTH	RDS	06/15/11	35386
REV	DESCRIPTION	BY	DATE	ECO NO.