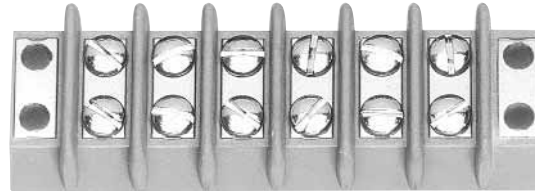


Kulka® Military Class (A-A-59125)/(MIL-T-55164)



Military Class: Closed Back

These military blocks feature molded-in terminals in an improved Kulka® design for greater strength and flexibility. The mounting holes are covered with molded-in reinforcement straddle plates.

A-A-59125/ MIL-T-55164 Information		Terminal Type	Voltage		Current	Wire & Lug Information				
Class	Spec #		Description	Max Rated		Dielectric with Test	Max Rated	Screw Size	RECMD Max Wire Size	MS17143 Lug #
37 TB	/ 1	Double Screw	300 V RMS	3000 V RMS	15 Amp 60 Hz	#6	#16 AWG	-11	0.282" [7.2]	8-10 [0.9-1.1]
38 TB	/ 2	Double Screw	600 V RMS	3400 V RMS	20 Amp 60 Hz	#6	#14 AWG	-14	0.31" [7.9]	8-10 [0.9-1.1]
39 TB	/ 3	Double Screw	600 V RMS	4000 V RMS	30 Amp 60 Hz	#8	#10 AWG	-9	0.41" [10.4]	10-12 [1.1-1.4]
40 TB	/ 4	Single Screw Feed Thru	300 V RMS	3000 V RMS	7.5 Amp 60 Hz	#6	#18 AWG	-10	0.282" [7.2]	8-10 [0.9-1.1]
41 TB	/ 5	Single Screw Feed Thru	600 V RMS	3400 V RMS	10 Amp 60 Hz	#6	#16 AWG	-14	0.31" [7.9]	8-10 [0.9-1.1]
42 TB	/ 6	Single Screw Feed Thru	600 V RMS	4000 V RMS	15 Amp 60 Hz	#8	#14 AWG	-8	0.41" [10.4]	10-12 [1.1-1.4]
43 TB	/ 26	Double Screw	150 V RMS	2000 V RMS	5 Amp 60 Hz	#2	#22 AWG	—	0.187" [4.7]	2-4 [0.2-0.5]
44 TB	/ 27	Single Screw	150 V RMS	2000 V RMS	5 Amp 60 Hz	#2	#22 AWG	—	0.187" [4.7]	2-4 [0.2-0.5]

Kulka® Military Class (A-A-59125)/(MIL-T-55164)

37TB-B/40TB-B Series

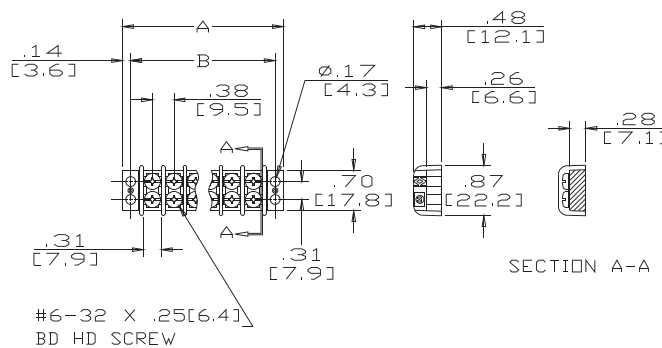
300 Volts



Specifications:

- Base, GPT-30F, Grey Color, 130°C
- Closed Back Design
- Screws, Brass Nickel Plate, 6-32 Binder Head, Slotted
- Terminals, Brass Nickel Plate, Ultrasonically Inserted
- 2-20 Poles, Consult Factory for Longer Lengths
- 3/8" Centers
- Flammability Rating 94 V-O
- Wire Size #16
- 15 Amps
- Parts are supplied with end plates

Catalog Number	Number of Poles	Dimensions		Catalog Number	Number of Poles	Dimensions	
		A	B			A	B
37TB02B	2	1.41	1.12	37TB12B	12	5.16	4.88
37TB03B	3	1.78	1.50	37TB13B	13	5.53	5.25
37TB04B	4	2.16	1.88	37TB14B	14	5.91	5.62
37TB05B	5	2.53	2.25	37TB15B	15	6.28	6.00
37TB06B	6	2.91	2.62	37TB16B	16	6.66	6.38
37TB07B	7	3.28	3.00	37TB17B	17	7.03	6.75
37TB08B	8	3.66	3.38	37TB18B	18	7.41	7.12
37TB09B	9	4.03	3.75	37TB19B	19	7.78	7.50
37TB10B	10	4.41	4.12	37TB20B	20	8.16	7.88
37TB11B	11	4.78	4.50				



Hardware Options:

Lug Types (Commercial):
3/4 ST 600 = Half Solder
ST600 = Full Solder

Feed-Thru Hardware Options:

Long Feed-Thru Solder
40TB B Only

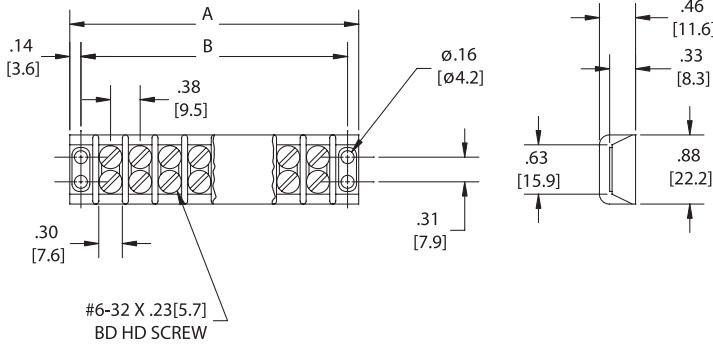
Service Options:

Consult Factory

Accessories: (Jumper Commercial Grade)

Marking Strips = MSA, MSB, MSC
Jumper = J600, 600RJ, 600RJ(S)

37TB-Military Class (A-A-59125/1)/(MIL-T-55164/1)



Molded Material:

- Plastic: Grade F temperature rating 155°C per MIL-M-14
- Screws: Brass per QQ-W-321, nickel plated per QQ-N-290
- Terminal Plates: Brass per QQ-B-613, nickel plated per QQ-N-290

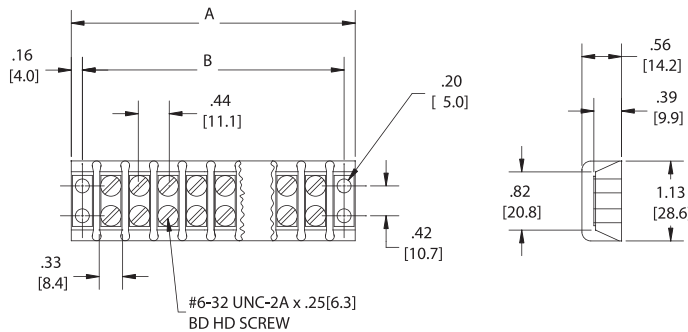
Electrical Rating:

- Rated voltage (maximum): 300 volts
- Current rating: 15 Amps
- D.W.V.: 3000 volts RMS

Military Type Designation	Number of poles	Dimensions	
		A	B
37TB 02 F	2	1.360-1.453	1.109-1.156
37TB 03 F	3	1.735-1.828	1.484-1.531
37TB 04 F	4	2.110-2.203	1.859-1.906
37TB 05 F	5	2.500-2.593	2.234-2.281
37TB 06 F	6	2.876-2.969	2.609-2.656
37TB 07 F	7	3.250-3.343	2.984-3.031
37TB 08 F	8	3.626-3.719	3.359-3.406
37TB 09 F	9	4.000-4.093	3.734-3.781
37TB 10 F	10	4.376-4.469	4.109-4.156
37TB 11 F	11	4.750-4.843	4.484-4.531
37TB 12 F	12	5.126-5.219	4.859-4.906
37TB 13 F	13	5.500-5.593	5.234-5.281
37TB 14 F	14	5.876-5.969	5.609-5.656
37TB 15 F	15	6.250-6.365	5.969-6.047
37TB 16 F	16	6.626-6.735	6.344-6.422
37TB 17 F	17	7.000-7.109	6.719-6.797
37TB 18 F	18	7.376-7.485	7.094-7.172
37TB 19 F	19	7.752-7.812	7.469-7.547
37TB 20 F	20	8.127-8.187	7.844-7.922
37TB 21 F	21	8.502-8.562	8.219-8.297
37TB 22 F	22	8.877-8.937	8.594-8.672
37TB 23 F	23	9.252-9.312	8.969-9.047
37TB 24 F	24	9.627-9.687	9.344-9.422
37TB 25 F	25	10.002-10.062	9.719-9.797
37TB 26 F	26	10.377-10.437	10.094-10.172
37TB 27 F	27	10.752-10.812	10.469-10.547
37TB 28 F	28	11.127-11.187	10.844-10.922
37TB 29 F	29	11.502-11.562	11.219-11.297
37TB 30 F	30	11.877-11.937	11.594-11.672
37TB 31 F	31	12.252-12.312	11.969-12.047

MM=Dim X 25.4

38TB-Military Class (A-A-59125/2)/(MIL-T-55164/2)



Molded Material:

- Plastic: Grade F temperature rating 155°C per MIL-M-14
- Screws: Brass per QQ-W-321, nickel plated per QQ-N-290
- Terminal Plates: Brass per QQ-B-613, nickel plated per QQ-N-290

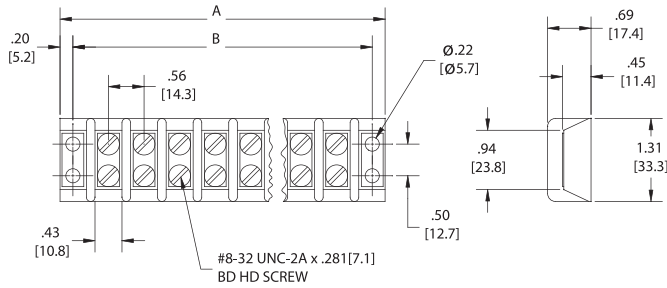
Electrical Rating:

- Rated voltage (maximum): 600 volts
- Current rating: 20 Amps
- D.W.V.: 3400 volts RMS

Military Type Designation	Number of poles	Dimensions	
		A	B
38TB 02 F	2	1.579-1.672	1.296-1.343
38TB 03 F	3	2.016-2.109	1.734-1.781
38TB 04 F	4	2.454-2.547	2.172-2.219
38TB 05 F	5	2.891-2.984	2.609-2.656
38TB 06 F	6	3.329-3.422	3.046-3.093
38TB 07 F	7	3.766-3.859	3.484-3.531
38TB 08 F	8	4.204-4.297	3.937-3.984
38TB 09 F	9	4.641-4.734	4.375-4.422
38TB 10 F	10	5.079-5.172	4.812-4.859
38TB 11 F	11	5.532-5.625	5.250-5.297
38TB 12 F	12	5.969-6.078	5.687-5.734
38TB 13 F	13	6.407-6.516	6.110-6.188
38TB 14 F	14	6.844-6.953	6.547-6.625
38TB 15 F	15	7.282-7.391	6.985-7.063
38TB 16 F	16	7.719-7.828	7.422-7.500
38TB 17 F	17	8.157-8.266	7.860-7.938
38TB 18 F	18	8.594-8.703	8.297-8.375
38TB 19 F	19	9.079-9.156	8.750-8.828
38TB 20 F	20	9.517-9.594	9.188-9.266
38TB 21 F	21	9.954-10.031	9.625-9.703
38TB 22 F	22	10.392-10.469	10.063-10.141
38TB 23 F	23	10.829-10.906	10.500-10.578

MM=Dim X 25.4

39TB-Military Class (A-A-59125/3)/(MIL-T-55164/3)



Molded Material:

- Plastic: Grade F temperature rating 155°C per MIL-M-14
- Screws: Brass per QQ-W-321, nickel plated per QQ-N-290
- Terminal Plates: Brass per QQ-B-613, nickel plated per QQ-N-290

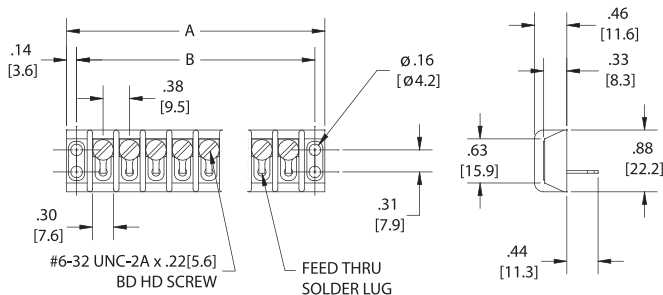
Electrical Rating:

- Rated voltage (maximum): 600 volts
- Current rating: 30 Amps
- D.W.V.: 4000 volts RMS

Military Type Designation	Number of poles	Dimensions	
		A	B
39TB 02 F	2	2.047-2.140	1.672-1.719
39TB 03 F	3	2.626-2.719	2.234-2.281
39TB 04 F	4	3.188-3.281	2.796-2.843
39TB 05 F	5	3.750-3.843	3.359-3.406
39TB 06 F	6	4.313-4.406	3.922-3.969
39TB 07 F	7	4.876-4.969	4.484-4.531
39TB 08 F	8	5.438-5.531	5.046-5.093
39TB 09 F	9	6.000-6.109	5.625-5.672
39TB 10 F	10	6.563-6.672	6.172-6.250
39TB 11 F	11	7.126-7.235	6.719-6.797
39TB 12 F	12	7.688-7.797	7.297-7.375
39TB 13 F	13	8.250-8.359	7.860-7.938
39TB 14 F	14	8.813-8.922	8.422-8.500
39TB 15 F	15	9.376-9.485	8.985-9.063
39TB 16 F	16	9.938-10.047	9.547-9.625
39TB 17 F	17	10.500-10.609	10.110-10.188
39TB 18 F	18	11.079-11.188	10.672-10.750

MM=Dim X 25.4

40TB-Military Class (A-A-59125/4)/(MIL-T-55164/4)



Molded Material:

- Same as 37 TB Class
- Hardware: Lug, Brass per QQ-B-613, tin plated

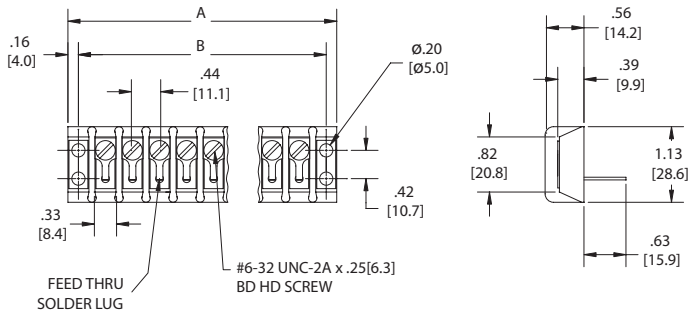
Electrical Rating:

- Rated voltage (maximum): 300 volts
- Current rating: 7.5 Amps
- D.W.V.: 3000 volts RMS

Military Type Designation	Number of poles	Dimensions	
		A	B
40TB 02 F	2	1.360-1.453	1.109-1.156
40TB 03 F	3	1.735-1.828	1.484-1.531
40TB 04 F	4	2.110-2.203	1.859-1.906
40TB 05 F	5	2.500-2.593	2.234-2.281
40TB 06 F	6	2.876-2.969	2.609-2.656
40TB 07 F	7	3.250-3.343	2.984-3.031
40TB 08 F	8	3.626-3.719	3.359-3.406
40TB 09 F	9	4.000-4.093	3.734-3.781
40TB 10 F	10	4.376-4.469	4.109-4.156
40TB 11 F	11	4.750-4.843	4.484-4.531
40TB 12 F	12	5.126-5.219	4.859-4.906
40TB 13 F	13	5.500-5.593	5.234-5.281
40TB 14 F	14	5.876-5.969	5.609-5.656
40TB 15 F	15	6.250-6.365	5.969-6.047
40TB 16 F	16	6.626-6.735	6.344-6.422
40TB 17 F	17	7.000-7.109	6.719-6.797
40TB 18 F	18	7.376-7.485	7.094-7.172
40TB 19 F	19	7.752-7.812	7.469-7.547
40TB 20 F	20	8.127-8.187	7.844-7.922
40TB 21 F	21	8.502-8.562	8.219-8.297
40TB 22 F	22	8.877-8.937	8.594-8.672
40TB 23 F	23	9.252-9.312	8.969-9.047
40TB 24 F	24	9.627-9.687	9.344-9.422
40TB 25 F	25	10.002-10.062	9.719-9.797
40TB 26 F	26	10.377-10.437	10.094-10.172
40TB 27 F	27	10.752-10.812	10.469-10.547
40TB 28 F	28	11.127-11.187	10.844-10.922
40TB 29 F	29	11.502-11.562	11.219-11.297
40TB 30 F	30	11.877-11.937	11.594-11.672
40TB 31 F	31	12.252-12.312	11.969-12.047

MM=Dim X 25.4

41TB-Military Class (A-A-59125/5)/(MIL-T-55164/5)



Molded Material:

- Same as 38 TB Class
- Hardware: Lug, Brass per QQ-B-613, tin plated

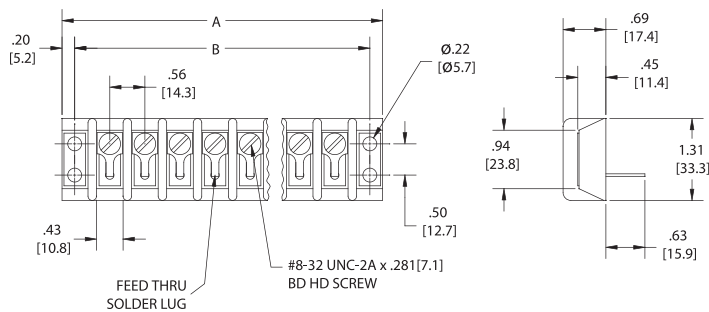
Electrical Rating:

- Rated voltage (maximum): 600 volts
- Current rating: 10 Amps
- D.W.V.: 3400 volts RMS

Military Type Designation	Number of poles	Dimensions	
		A	B
41TB 02 F	2	1.579-1.672	1.296-1.343
41TB 03 F	3	2.016-2.109	1.734-1.781
41TB 04 F	4	2.454-2.547	2.172-2.219
41TB 05 F	5	2.891-2.984	2.609-2.656
41TB 06 F	6	3.329-3.422	3.046-3.093
41TB 07 F	7	3.766-3.859	3.484-3.531
41TB 08 F	8	4.204-4.297	3.937-3.984
41TB 09 F	9	4.641-4.734	4.375-4.422
41TB 10 F	10	5.079-5.172	4.812-4.859
41TB 11 F	11	5.532-5.625	5.250-5.297
41TB 12 F	12	5.969-6.078	5.687-5.734
41TB 13 F	13	6.407-6.516	6.110-6.188
41TB 14 F	14	6.844-6.953	6.547-6.625
41TB 15 F	15	7.282-7.391	6.985-7.063
41TB 16 F	16	7.719-7.828	7.422-7.500
41TB 17 F	17	8.157-8.266	7.860-7.938
41TB 18 F	18	8.594-8.703	8.297-8.375
41TB 19 F	19	9.079-9.156	8.750-8.828
41TB 20 F	20	9.517-9.594	9.188-9.266
41TB 21 F	21	9.954-10.031	9.625-9.703
41TB 22 F	22	10.392-10.469	10.063-10.141
41TB 23 F	23	10.829-10.906	10.500-10.578

MM=Dim X 25.4

42TB-Military Class (A-A-59125/6)/(MIL-T-55164/6)



Molded Material:

- Same as 39 TB Class
- Hardware: Lug, Brass per QQ-B-613, tin plated

Electrical Rating:

- Rated voltage (maximum): 600 volts
- Current rating: 15 Amps
- D.W.V.: 3400 volts RMS

Military Type Designation	Number of poles	Dimensions	
		A	B
42TB 02 F	2	2.047-2.140	1.672-1.719
42TB 03 F	3	2.626-2.719	2.234-2.281
42TB 04 F	4	3.188-3.281	2.796-2.843
42TB 05 F	5	3.750-3.843	3.359-3.406
42TB 06 F	6	4.313-4.406	3.922-3.969
42TB 07 F	7	4.876-4.969	4.484-4.531
42TB 08 F	8	5.438-5.531	5.046-5.093
42TB 09 F	9	6.000-6.109	5.625-5.672
42TB 10 F	10	6.563-6.672	6.172-6.250
42TB 11 F	11	7.126-7.235	6.719-6.797
42TB 12 F	12	7.688-7.797	7.297-7.375
42TB 13 F	13	8.250-8.359	7.860-7.938
42TB 14 F	14	8.813-8.922	8.422-8.500
42TB 15 F	15	9.376-9.485	8.985-9.063
42TB 16 F	16	9.938-10.047	9.547-9.625
42TB 17 F	17	10.500-10.609	10.110-10.188
42TB 18 F	18	10.079-11.188	10.672-10.750

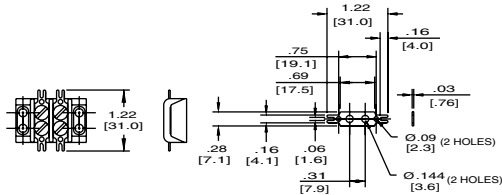
MM=Dim X 25.4

Kulka® Military Class

(A-A-59125)/(MIL-T-55164)

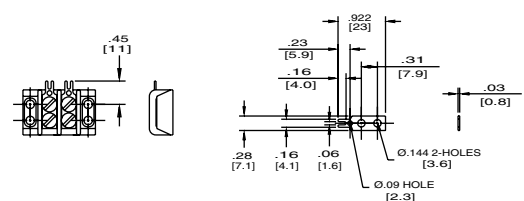
(Solder Hardware Dimensions are not to Mil Spec)

37TBLD (Commercial Equivalent)



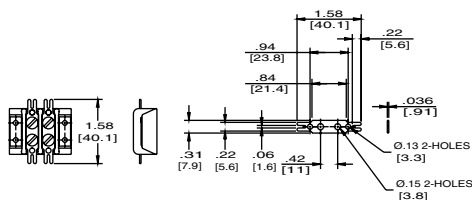
This is an assembly of the 37TB Class Terminal Board and a two-sided terminal lug (ST600). Available in lengths from 2 terminals through 31 terminals. Lugs are brass and are tin plated.

37TBLS (Commercial Equivalent)



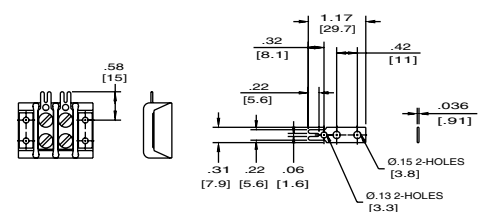
This is an assembly of the 37TB Class Terminal Board and a one-sided terminal lug (3/4 ST600). Available in lengths from 2 terminals through 31 terminals. Lugs are brass and are tin plated.

38TBLD (Commercial Equivalent)



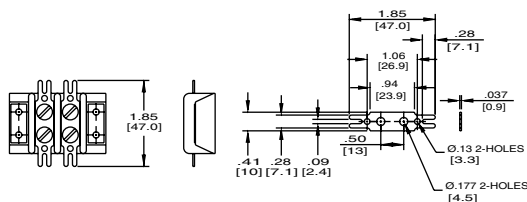
This is an assembly of the 38TB Class Terminal Board and a two-sided terminal lug (ST601). Available in lengths from 2 terminals through 23 terminals. Lugs are brass and are tin plated.

38TBLS (Commercial Equivalent)



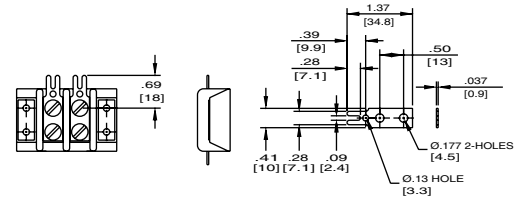
This is an assembly of the 38TB Class Terminal Board and a one-sided terminal lug (3/4 ST601). Available in lengths from 2 terminals through 23 terminals. Lugs are brass and are tin plated.

39TBLD (Commercial Equivalent)



This is an assembly of the 39TB Class Terminal Board and a two-sided terminal lug (ST602). Available in lengths from 2 terminals through 18 terminals. Lugs are brass and are tin plated.

39TBLS (Commercial Equivalent)



This is an assembly of the 39TB Class Terminal Board and a one-sided terminal lug (3/4 ST602). Available in lengths from 2 terminals through 18 terminals. Lugs are brass and are tin plated.